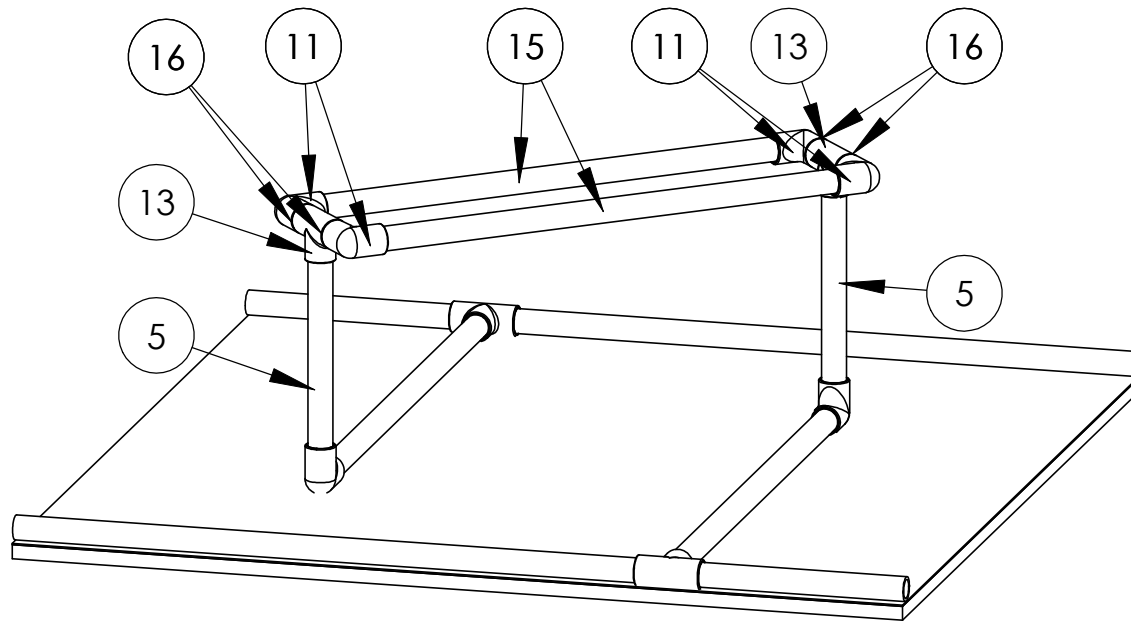


You will also need a roll each of Blazing Orange and Island Lime Duct Tape, 30 x 8 inches of black foam core poster board, and a roll of black electrical tape.

ITEM NO.	PART NUMBER	QTY.
1	MDF 4' x 4' (1.2192 m x 1.2192m)	5
2	Table Surface 4' x 4' (1.2192 m x 1.2192m)	5
3	Surface connector	4
4	9 inch (228.6mm) pvc	2
5	12 inch (304.8mm) pvc	18
6	22.5 inch (571.5mm) pvc	2
7	31.5 inch (800.1mm) pvc	4
8	34.5 inch (876.3mm) pvc	2
9	45 inch (1143mm) pvc	2
10	46.5 inch (1181.1mm) pvc	4
11	90 angle	22
12	Coupler	2
13	T Connector	8
14	Cross	2
15	28.5 inch (723.9mm) pvc	2
16	2 inch (50.8mm) pvc	4

PROPRIETARY AND CONFIDENTIAL
 THE INFORMATION CONTAINED IN THIS DRAWING IS THE SOLE PROPERTY OF <INSERT COMPANY NAME HERE>. ANY REPRODUCTION IN PART OR AS A WHOLE WITHOUT THE WRITTEN PERMISSION OF <INSERT COMPANY NAME HERE> IS PROHIBITED.

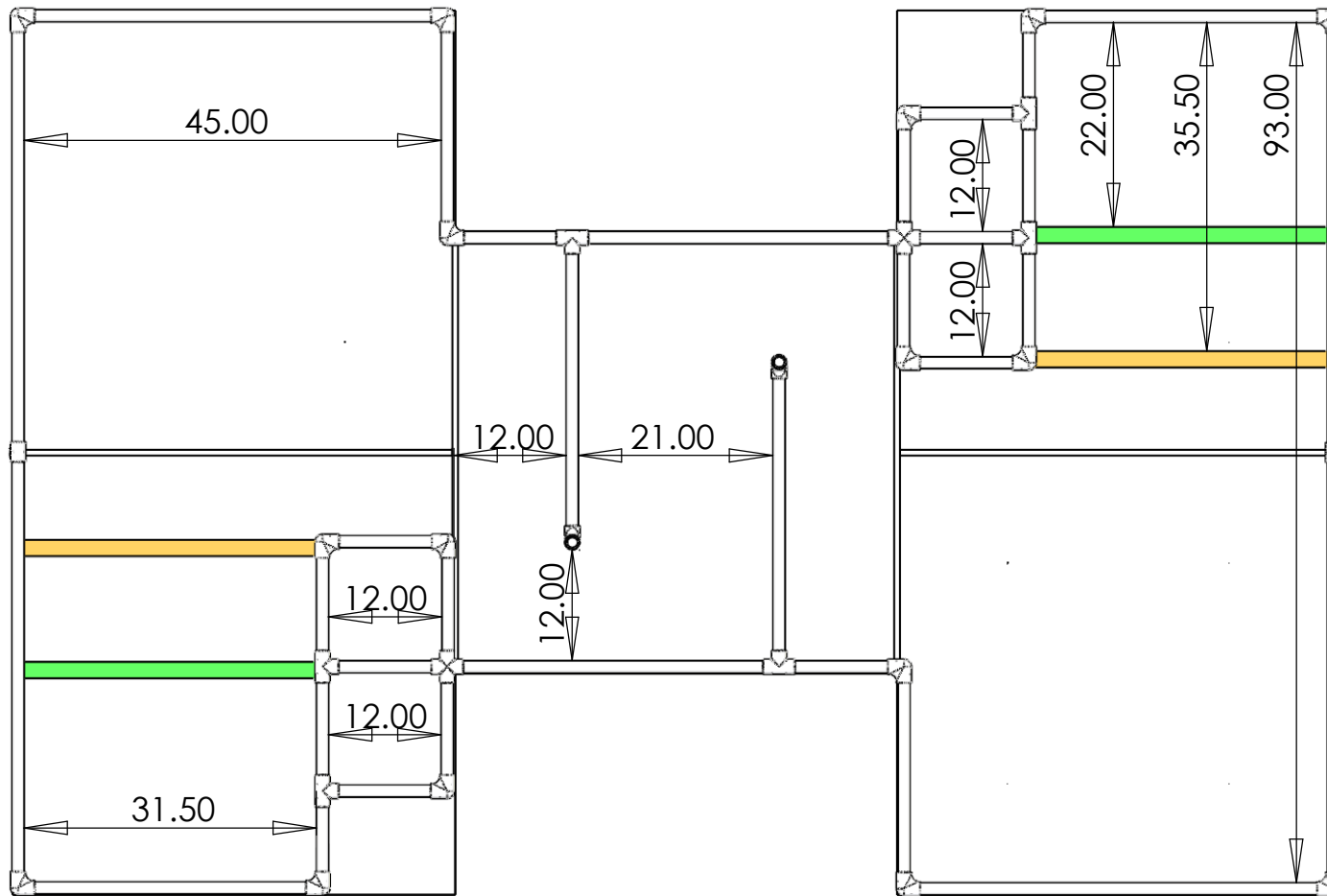
		UNLESS OTHERWISE SPECIFIED:		NAME	DATE	TITLE: 2010 Botball		
		DIMENSIONS ARE IN INCHES TOLERANCES: FRACTIONAL ± ANGULAR: MACH ± BEND ± TWO PLACE DECIMAL ± THREE PLACE DECIMAL ±	DRAWN					
			CHECKED					
			ENG APPR.					
			MFG APPR.					
		INTERPRET GEOMETRIC TOLERANCING PER:	Q.A.			SIZE DWG. NO. REV		
		MATERIAL	COMMENTS:					
NEXT ASSY	USED ON	FINISH				SCALE: 1:50 WEIGHT: SHEET 1 OF 9		
APPLICATION		DO NOT SCALE DRAWING						



Note: The 2" PVC (part number 16) connects parts 11 and 13(4 instances)

PROPRIETARY AND CONFIDENTIAL
 THE INFORMATION CONTAINED IN THIS DRAWING IS THE SOLE PROPERTY OF <INSERT COMPANY NAME HERE>. ANY REPRODUCTION IN PART OR AS A WHOLE WITHOUT THE WRITTEN PERMISSION OF <INSERT COMPANY NAME HERE> IS PROHIBITED.

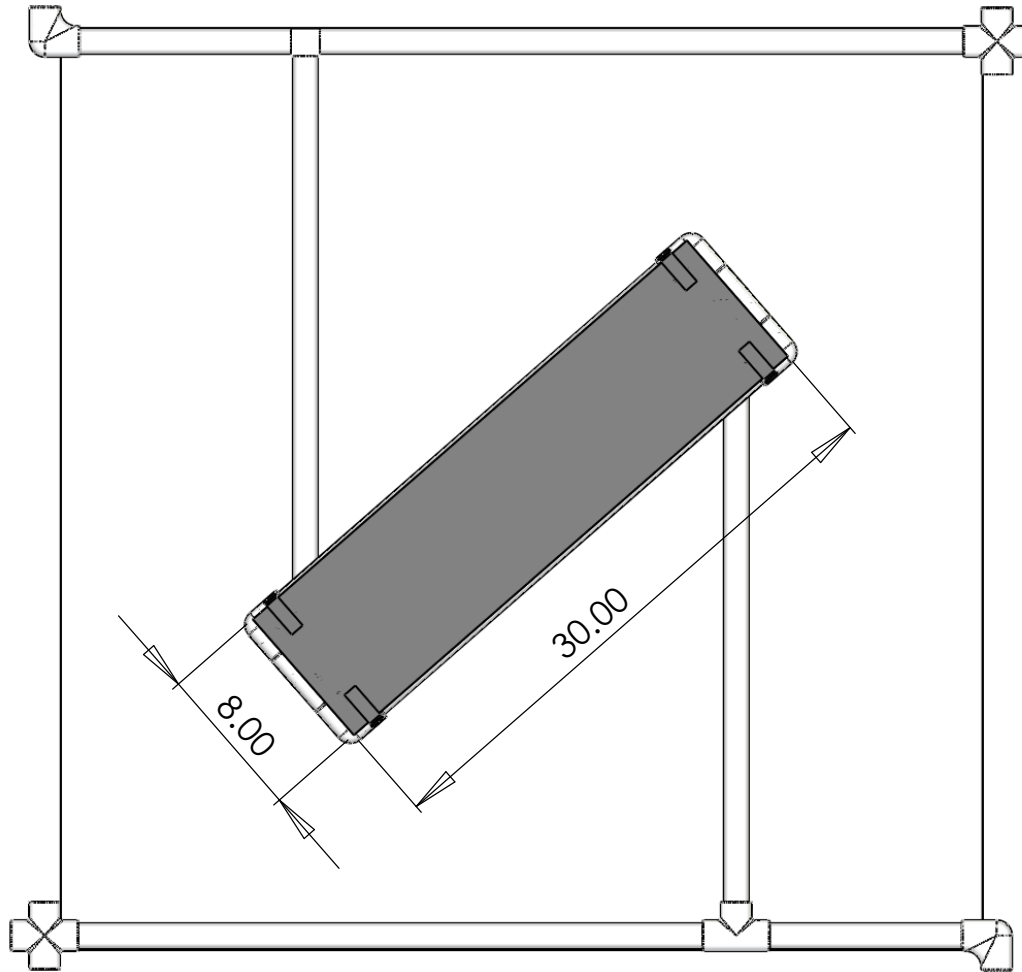
		UNLESS OTHERWISE SPECIFIED:		NAME	DATE	TITLE: 2010 Botball					
		DIMENSIONS ARE IN INCHES	DRAWN						SIZE	DWG. NO.	REV
		TOLERANCES:	CHECKED								
		FRACTIONAL ±	ENG APPR.						SCALE: 1:50 WEIGHT: SHEET 3 OF 9		
		ANGULAR: MACH ± BEND ±	MFG APPR.								
		TWO PLACE DECIMAL ±	Q.A.								
		THREE PLACE DECIMAL ±	COMMENTS:								
		INTERPRET GEOMETRIC TOLERANCING PER:									
		MATERIAL									
		FINISH									
NEXT ASSY	USED ON										
APPLICATION		DO NOT SCALE DRAWING									



PROPRIETARY AND CONFIDENTIAL
 THE INFORMATION CONTAINED IN THIS DRAWING IS THE SOLE PROPERTY OF KIPR. ANY REPRODUCTION IN PART OR AS A WHOLE WITHOUT THE WRITTEN PERMISSION OF KIPR IS PROHIBITED.

		UNLESS OTHERWISE SPECIFIED:	NAME	DATE
		DIMENSIONS ARE IN INCHES	DRAWN	
		TOLERANCES:	CHECKED	
		FRACTIONAL ±	ENG APPR.	
		ANGULAR: MACH ± BEND ±	MFG APPR.	
		TWO PLACE DECIMAL ±	Q.A.	
		THREE PLACE DECIMAL ±	COMMENTS:	
		INTERPRET GEOMETRIC TOLERANCING PER:		
		MATERIAL		
		FINISH		
NEXT ASSY	USED ON			
APPLICATION		DO NOT SCALE DRAWING		

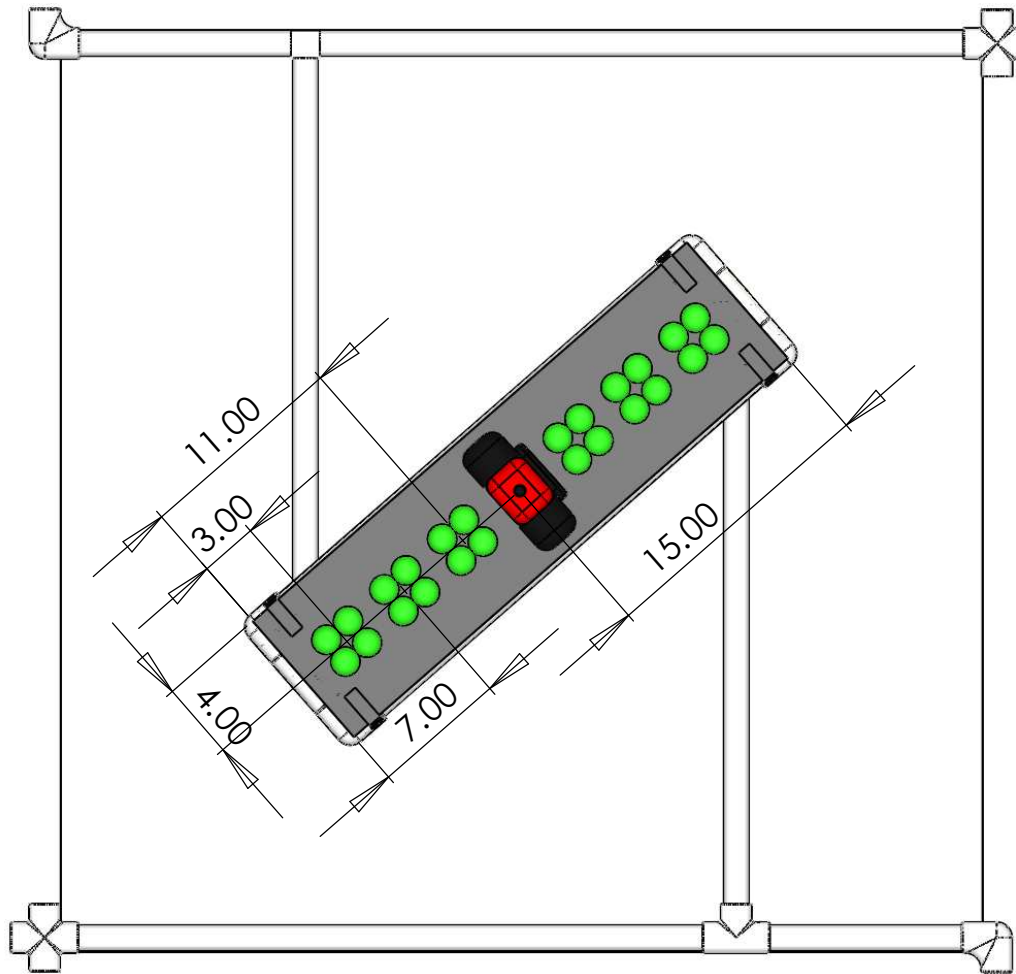
TITLE:		
<h1>2010 Botball</h1>		
SIZE	DWG. NO.	REV
A		
SCALE: 1:50	WEIGHT:	SHEET 4 OF 9



PROPRIETARY AND CONFIDENTIAL
 THE INFORMATION CONTAINED IN THIS DRAWING IS THE SOLE PROPERTY OF KIPR. ANY REPRODUCTION IN PART OR AS A WHOLE WITHOUT THE WRITTEN PERMISSION OF KIPR IS PROHIBITED.

		UNLESS OTHERWISE SPECIFIED:		NAME	DATE
		DIMENSIONS ARE IN INCHES	DRAWN		
		TOLERANCES:	CHECKED		
		FRACTIONAL ±	ENG APPR.		
		ANGULAR: MACH ± BEND ±	MFG APPR.		
		TWO PLACE DECIMAL ±	Q.A.		
		THREE PLACE DECIMAL ±	COMMENTS:		
		INTERPRET GEOMETRIC TOLERANCING PER:			
		MATERIAL			
		FINISH			
NEXT ASSY	USED ON				
APPLICATION		DO NOT SCALE DRAWING			

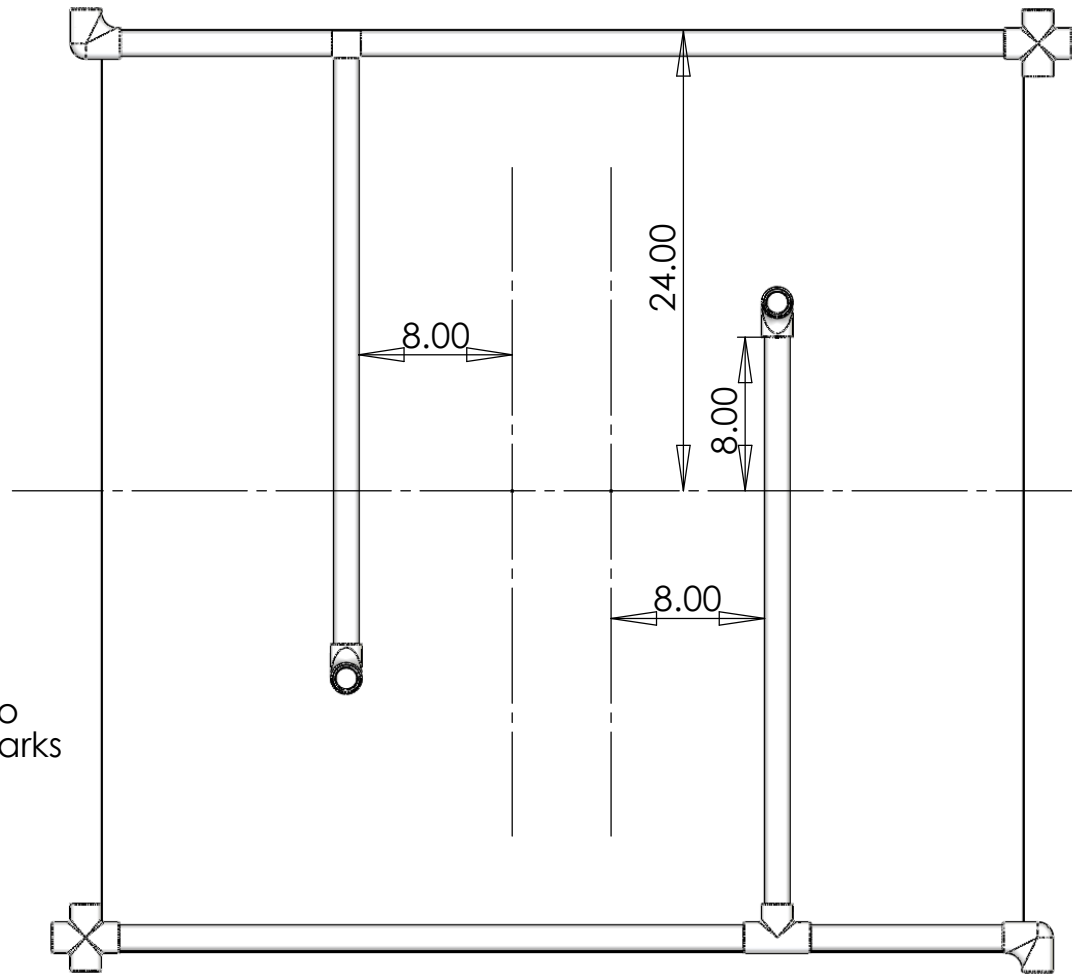
TITLE:		
<h1>2010 Botball</h1>		
SIZE	DWG. NO.	REV
A		
SCALE: 1:50	WEIGHT:	SHEET 6 OF 9



PROPRIETARY AND CONFIDENTIAL
 THE INFORMATION CONTAINED IN THIS DRAWING IS THE SOLE PROPERTY OF KIPR. ANY REPRODUCTION IN PART OR AS A WHOLE WITHOUT THE WRITTEN PERMISSION OF KIPR IS PROHIBITED.

		UNLESS OTHERWISE SPECIFIED:		NAME	DATE
		DIMENSIONS ARE IN INCHES	DRAWN		
		TOLERANCES:	CHECKED		
		FRACTIONAL ±	ENG APPR.		
		ANGULAR: MACH ± BEND ±	MFG APPR.		
		TWO PLACE DECIMAL ±	Q.A.		
		THREE PLACE DECIMAL ±	COMMENTS:		
		INTERPRET GEOMETRIC TOLERANCING PER:			
		MATERIAL			
		FINISH			
NEXT ASSY	USED ON				
APPLICATION		DO NOT SCALE DRAWING			

TITLE:		
<h1>2010 Botball</h1>		
SIZE	DWG. NO.	REV
A		
SCALE: 1:50	WEIGHT:	SHEET 7 OF 9

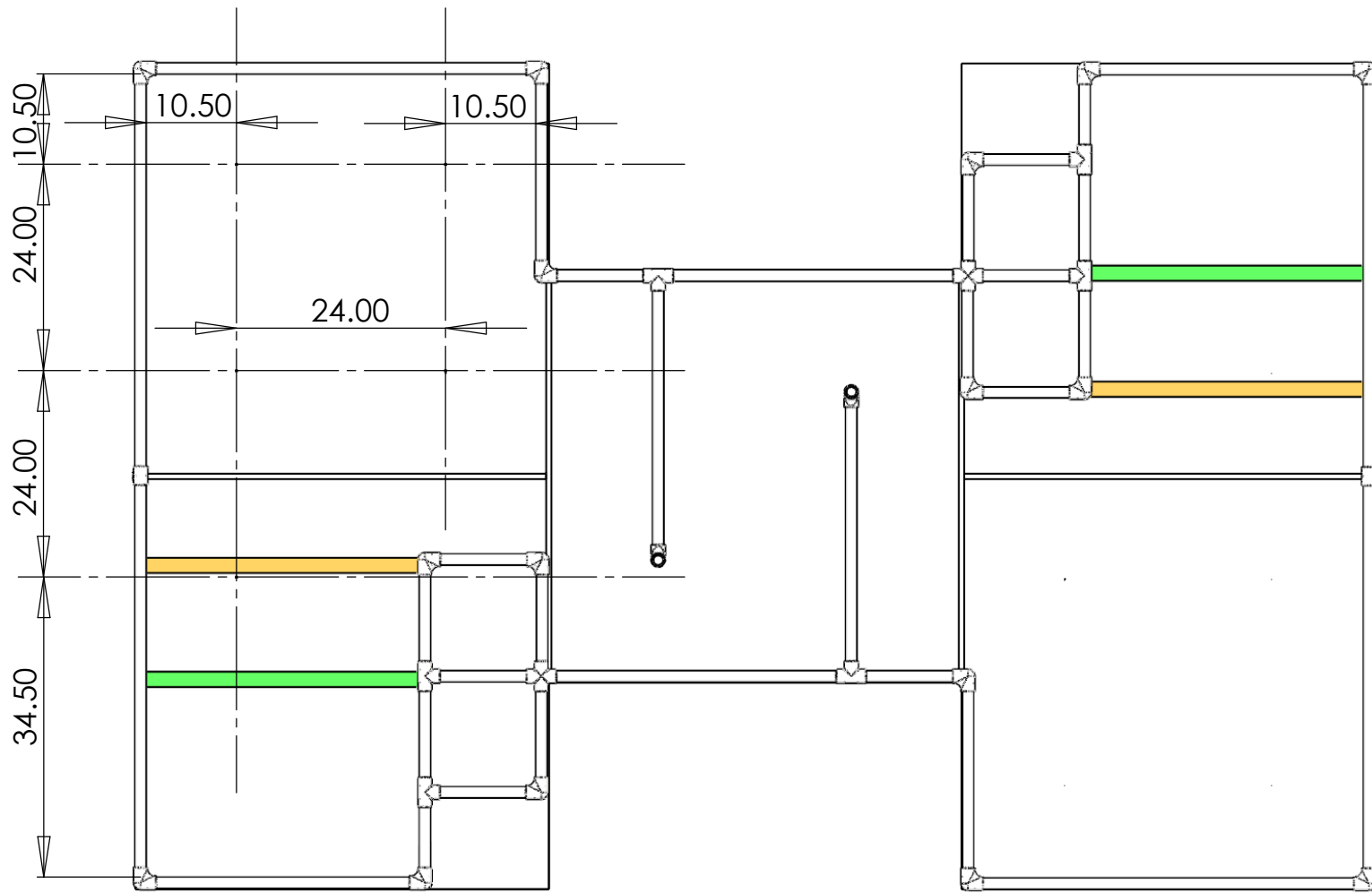


Sorbents are placed so that they cover the marks placed as shown

PROPRIETARY AND CONFIDENTIAL
 THE INFORMATION CONTAINED IN THIS DRAWING IS THE SOLE PROPERTY OF KIPR. ANY REPRODUCTION IN PART OR AS A WHOLE WITHOUT THE WRITTEN PERMISSION OF KIPR IS PROHIBITED.

		UNLESS OTHERWISE SPECIFIED:		NAME	DATE
		DIMENSIONS ARE IN INCHES	DRAWN		
		TOLERANCES:	CHECKED		
		FRACTIONAL ±	ENG APPR.		
		ANGULAR: MACH ± BEND ±	MFG APPR.		
		TWO PLACE DECIMAL ±	Q.A.		
		THREE PLACE DECIMAL ±	COMMENTS:		
		INTERPRET GEOMETRIC TOLERANCING PER:			
		MATERIAL			
		FINISH			
NEXT ASSY	USED ON				
APPLICATION		DO NOT SCALE DRAWING			

TITLE:		
<h1>2010 Botball</h1>		
SIZE	DWG. NO.	REV
A		
SCALE: 1:50	WEIGHT:	SHEET 8 OF 9



Physical marks for the oil slicks will be placed at the intersections of the shown invisible lines.

PROPRIETARY AND CONFIDENTIAL
 THE INFORMATION CONTAINED IN THIS DRAWING IS THE SOLE PROPERTY OF KIPR. ANY REPRODUCTION IN PART OR AS A WHOLE WITHOUT THE WRITTEN PERMISSION OF KIPR IS PROHIBITED.

		UNLESS OTHERWISE SPECIFIED:		NAME	DATE			
		DIMENSIONS ARE IN INCHES		DRAWN		TITLE: 2010 Botball		
		TOLERANCES:		CHECKED				
		FRACTIONAL ±		ENG APPR.				
		ANGULAR: MACH ± BEND ±		MFG APPR.				
		TWO PLACE DECIMAL ±		Q.A.		SIZE DWG. NO. REV		
		THREE PLACE DECIMAL ±		COMMENTS:				
		INTERPRET GEOMETRIC TOLERANCING PER:				A		
		MATERIAL					SCALE: 1:50	WEIGHT:
		FINISH						
NEXT ASSY	USED ON							
APPLICATION		DO NOT SCALE DRAWING						