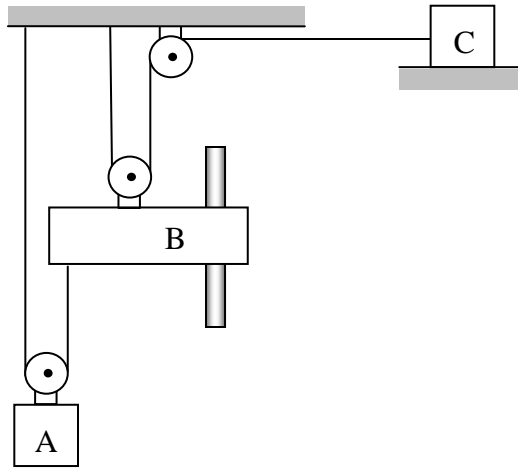


Homework (LE 2)

Problem 2.1 (new)

The masses of blocks A, B, and C are $m_A = 4$ kg, $m_B = 10$ kg, and $m_C = 2$ kg. Neglect the masses of the pulleys and the effect of friction. Assuming the blocks are released from rest, determine a) the acceleration of each block, b) the tension in the cords and c) the distance block A will travel in 2 seconds.



Problem 2.2 (new)

Block B has a mass 10 kg and rests on the upper surface of a 20-kg wedge, A, as shown. The system is released from rest and friction is negligible. Determine a) the acceleration of B, and b) the velocity of B relative to A at $t = 0.5$ s.

