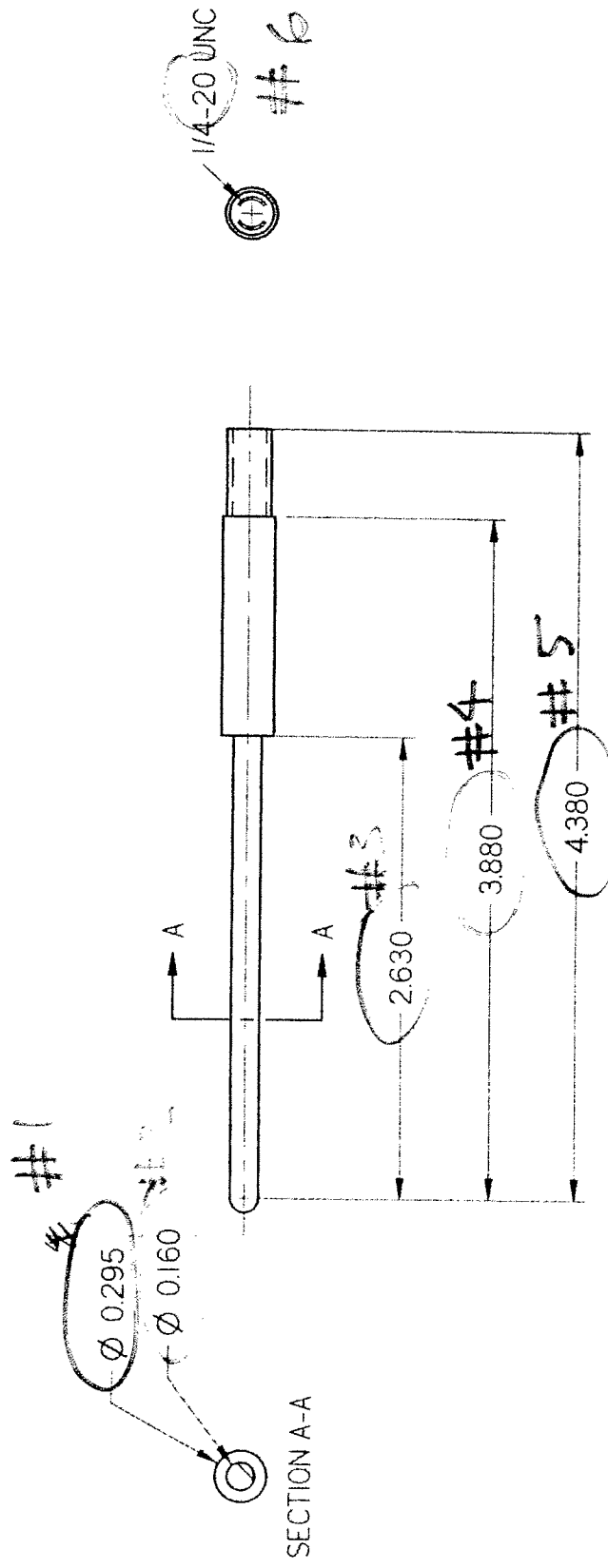


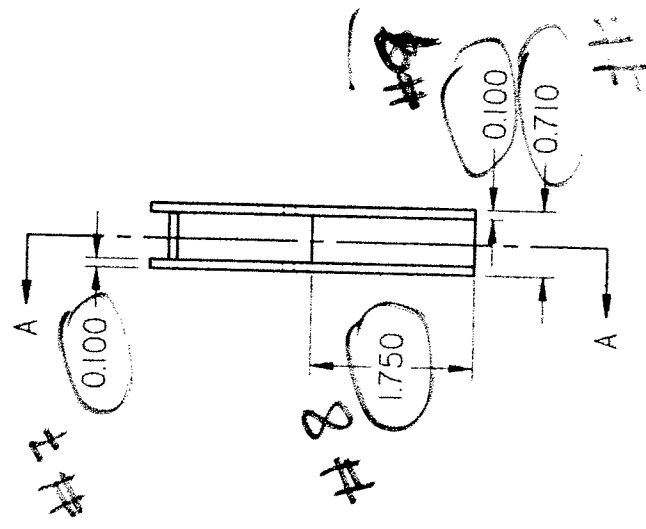
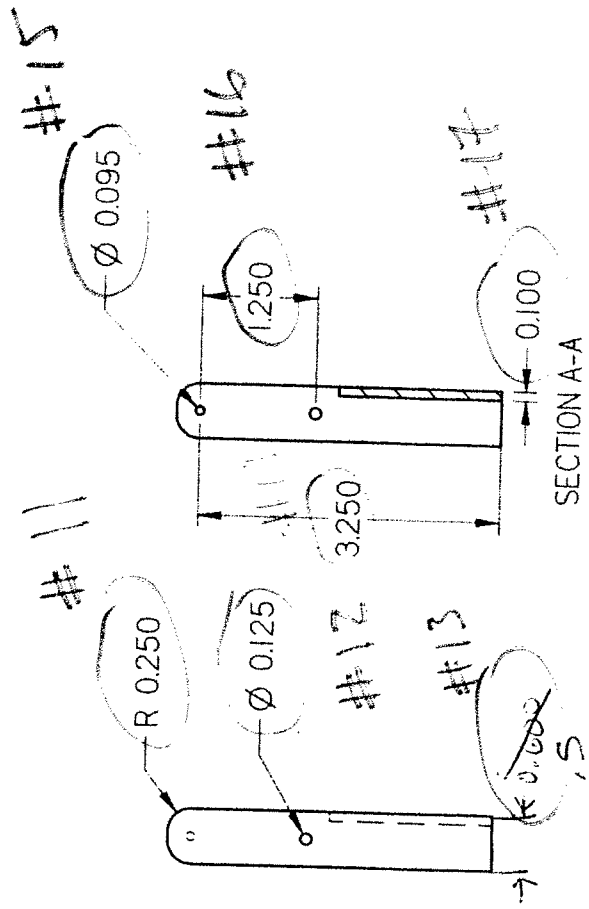
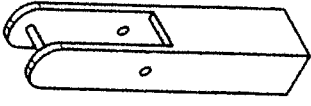
REVISION HISTORY		DATE	APPROVED
REV	DESCRIPTION		



NAME	DATE	SOLID EDGE	
Drawn	12/11/07	UGS - The PLM Company	
Checked		TITLE	
Eng. Appr.		Needle Valve	
MGR. Appr.		SIZE	REV
		C	
UNLESS OTHERWISE SPECIFIED		FILE NAME	needle_valve.dft
DIMENSIONS ARE IN INCHES		SCALE	WEIGHT
ANGLES 90°		2 PL	3 PL 40020
2 PL 30XX 3 PL 40020		SHEET 1 OF 1	

SOLID EDGE ACADEMIC COPY

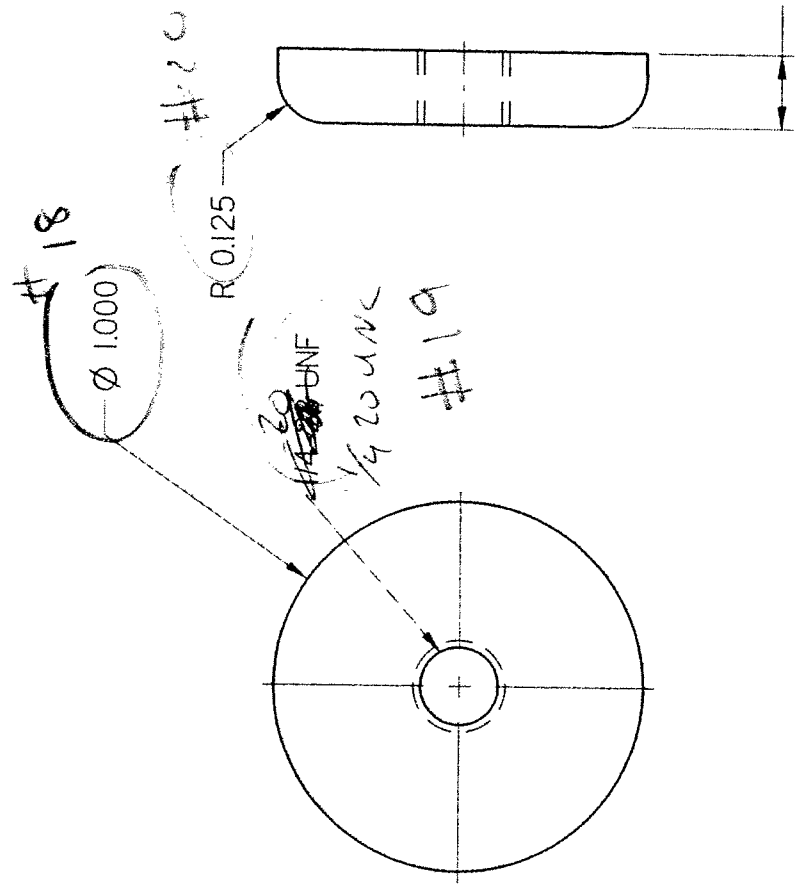
REVISION HISTORY		
REV	DESCRIPTION	DATE



NAME	DATE	<b>SOLID EDGE</b> UGS - The PLM Company TITLE: Trigger SIZE: 10.00 C: FILE NAME: Trigger.dft SCALE: WEIGHT: SHEET 1 OF 1
DRAWN	12/10/07	
CHECKED		
ENG APPR		
MGR APPR		
UNLESS OTHERWISE SPECIFIED		
DIMENSIONS ARE IN INCHES		
ANGLES 90°		
2 PL 3.00 X 3 PL .0020		

SOLID EDGE ACADEMIC COPY

REVISION HISTORY		
REV	DESCRIPTION	DATE

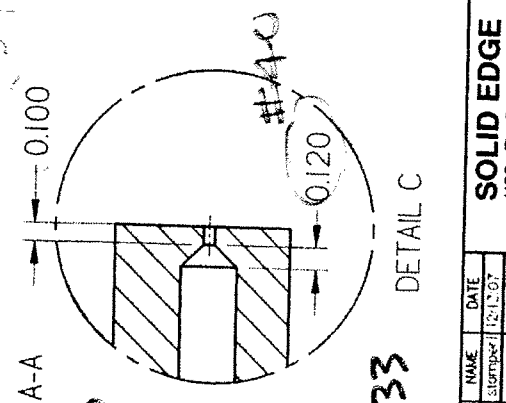
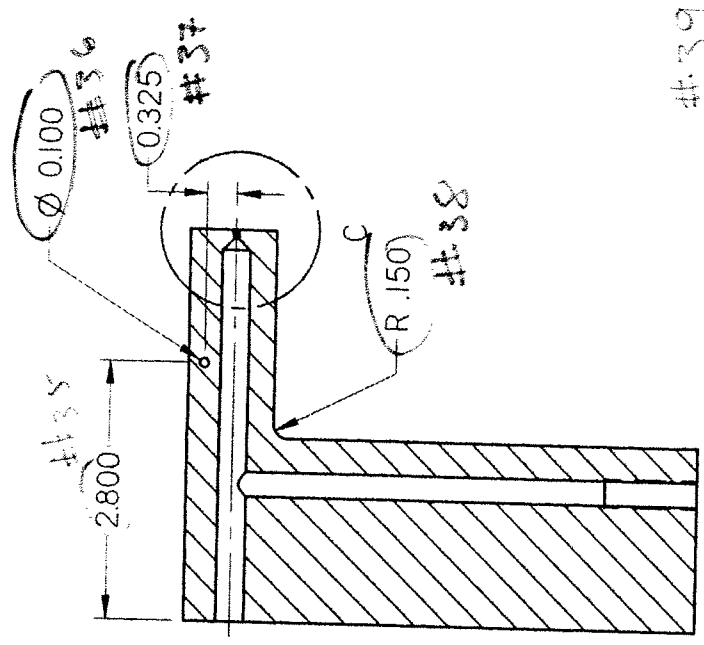


NAME		DATE	
DRAWN	Stampor J	12/12/07	
CHECKED			
ENG APPR			
MGR APPR			
UNLESS OTHERWISE SPECIFIED DIMENSIONS ARE IN INCHES ANGLES XXX°			
2 PL-XXX-3 PL-00000		SCALE	TWEIGHT

SOLID EDGE		UGS - The PLM Company	
TITLE		Endcap	
SIZE	DMG16	REV	
C			
FILE NAME	endcap.res.0101	SCALE	TWEIGHT
SHEET 1 OF 1			

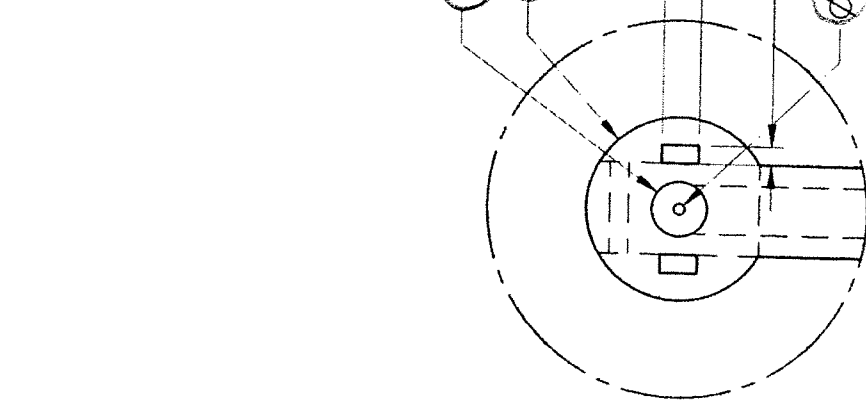
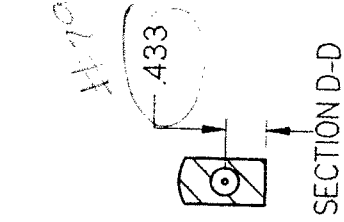
SOLID EDGE ACADEMIC COPY

REV	DESCRIPTION	DATE	APPROVED



DETAIL C

NAME	DATE



TAIL B

DRAWN	CHECKED	ENG APPR	MGR APPR

NAME	DATE

UNLESS OTHERWISE SPECIFIED  
DIMENSIONS ARE IN INCHES  
ANGLES XXX°

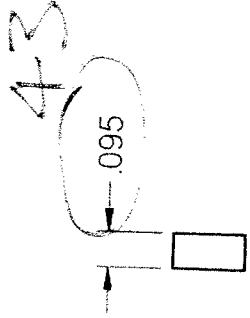
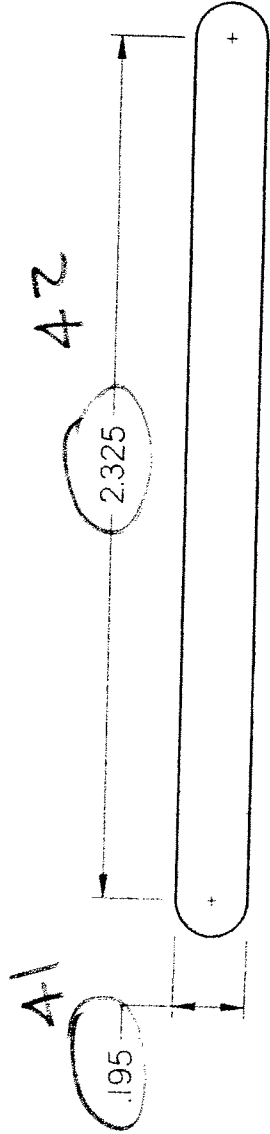
2 PL 3XXX 3 PL-40890-

SHEET 1 OF 1

0.5

SOLID EDGE ACADEMIC COPY

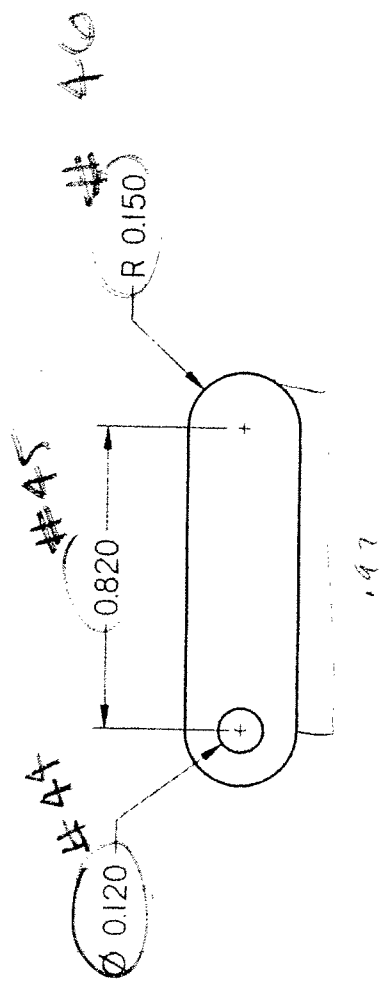
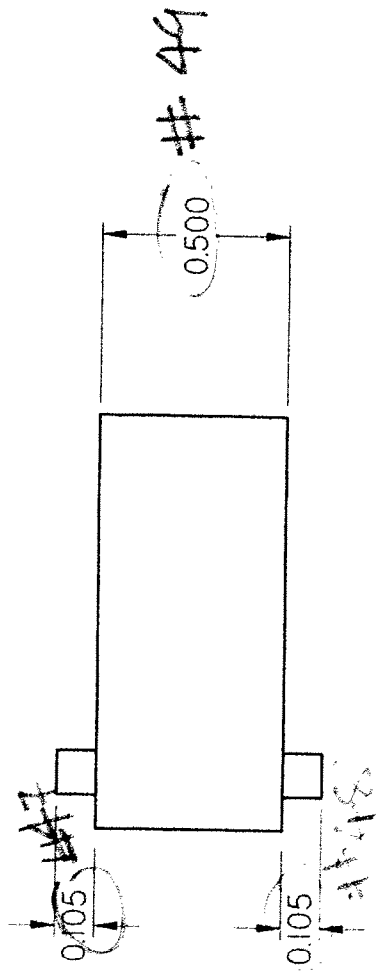
REVISION HISTORY		DATE	APPROVED
REV	DESCRIPTION		



NAME	DATE	SOLID EDGE	
DRAWN	12/12/07	UGS - The PLM Company	
CHECKED		TITLE	
ENG APPR		Rect Pin	
MGR APPR		SIZE	REV
		C	
UNLESS OTHERWISE SPECIFIED		FILE NAME	rect pin.dft
DIMENSIONS ARE IN INCHES		SCALE	WEIGHT
ANGLES 30°			SHEET 1 OF 1
2 FL 300 3 PL 2.0000			

SOLID EDGE ACADEMIC COPY

REVISION HISTORY		
REV	DESCRIPTION	DATE



NAME	DATE
STARTUP	12/12/07

SOLID EDGE	
LUGS - The PLM Company	
TITLE	
Safety	
SIZE	REV
C	

FILE NAME	SCALE	WEIGHT	SHEET 1 OF 1
safety.dft			

SOLID EDGE ACADEMIC COPY