

# Homework 6: Solutions Posted

## Problem 1

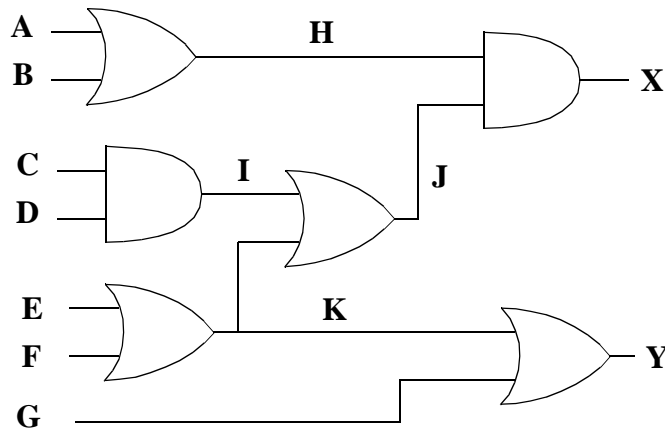
Implement the following functions using a gate array

$$Z = \overline{AB + C}$$

$$Y = \overline{Z + DE}$$

## Problem 2

For the following circuit, give the observability coefficients for each internal node.



## Problem 3

Using the Ad-Hoc Partition-and-Mux method, modify the following sequential circuit so that testing will be easier.

