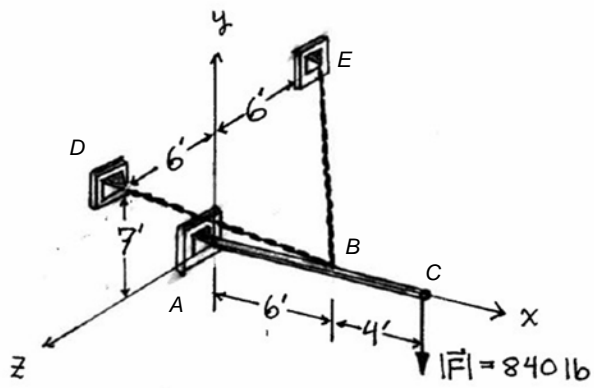


Example

The connections at A , D and E are ball and socket types. The rod AC can be modeled as weightless. Find the tension in each cable and the reaction at A .



Example

For the assembly shown, find the tension T in the strap and the reactions at the **thrust bearing** C . The weight of the assembly is negligible.

