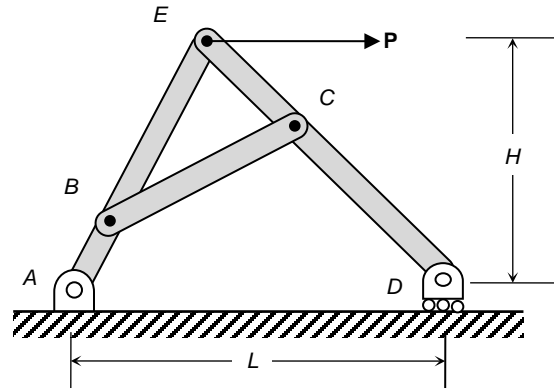

Example

Consider the structure below. All members can be considered massless. Set up the equations necessary to find the reactions at A and D .

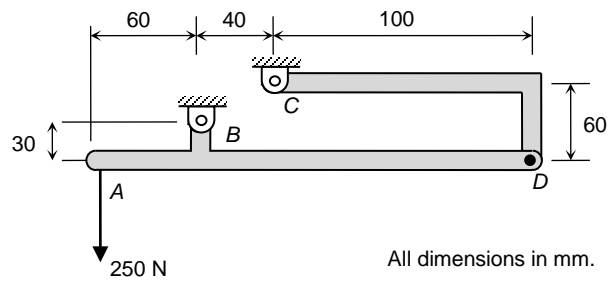


Example

Find the reactions at pins B and C in the last example. Is there anything special about those reactions?

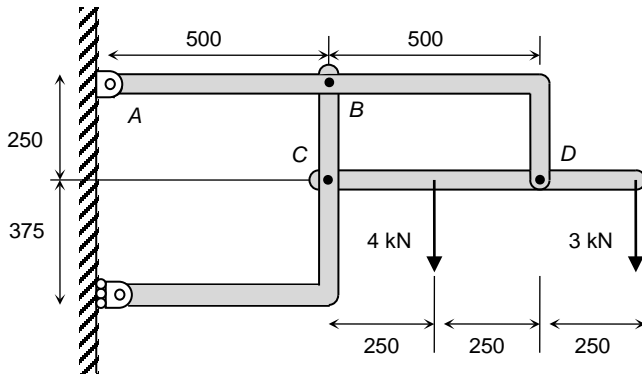
Example

Find the reactions at B and C . Assume that the weight of the structure is negligible.



Example

Find the components of all forces ABD . Assume that the weight of the structure is negligible.



All dimensions in mm.