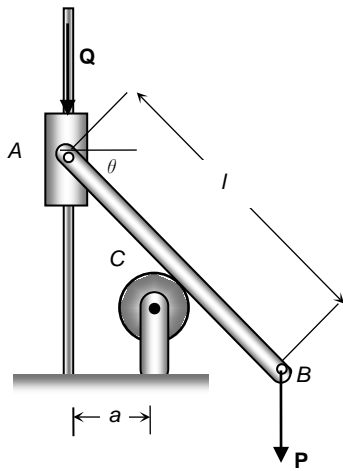
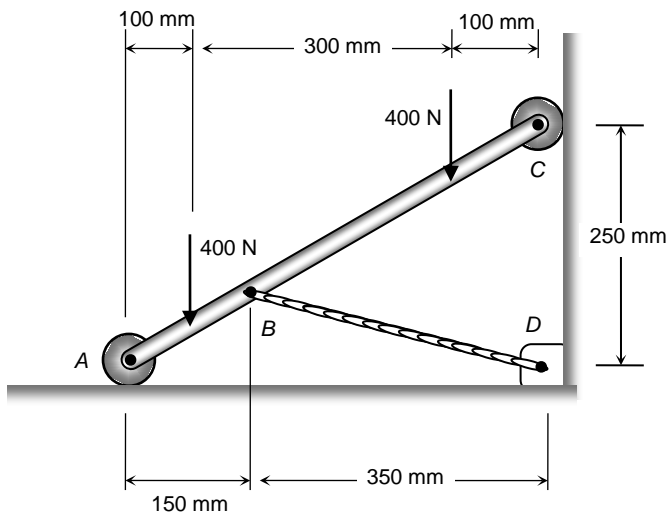


ACTIVE LEARNING EXERCISE: Drawing Free Body Diagrams

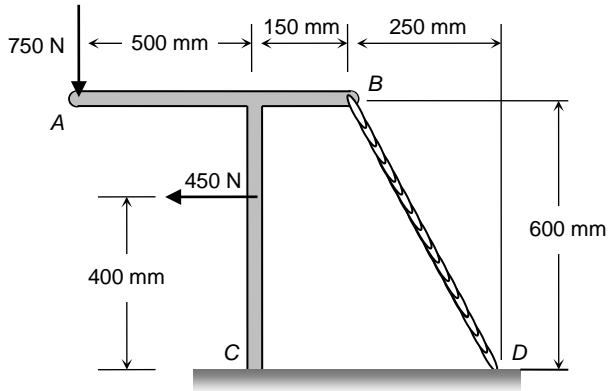
For each of the systems below, draw a free body diagram of the requested part(s).



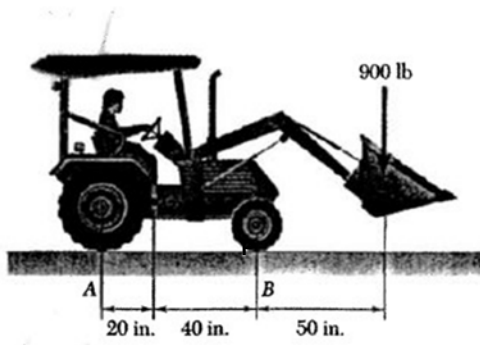
Draw FBDs of the collar and of link AB .



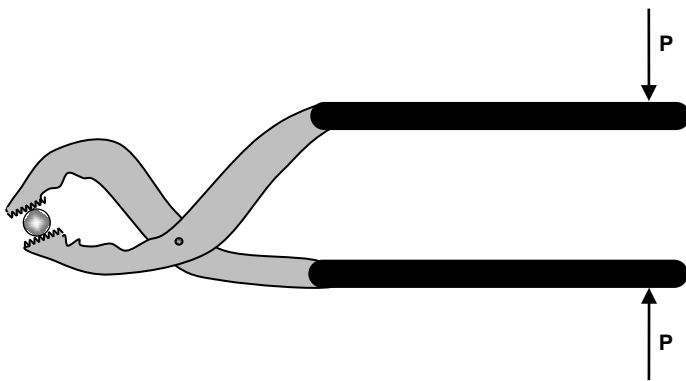
Draw FBDs of rope BD and link AC . (Hint: include the rollers.)



Draw a FBD of part *ABC*.



Draw a FBD of the end-loader.



Draw FBDs of each handle and of the bolt.