

Standard Faders for Audio Mixers

Japan

Type: **EWAP1/EWAQ1**

■ Features

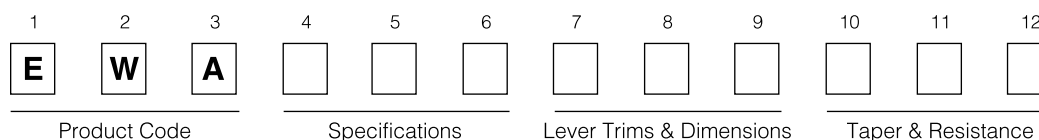
- Excellent operation feeling:
Clear clicking action for heat controllers.
Smooth sliding action for Electronic Musical Instruments.
- Low noise, long operating life, highly-accurate attenuation.
- Light operating force available.



■ Recommended Applications

- Fade control for popular types of Audio Mixers, musical keyboards
- Heat control or mode switching for Automobile Air Conditioners
- Measurement Instruments

■ Explanation of Part Numbers


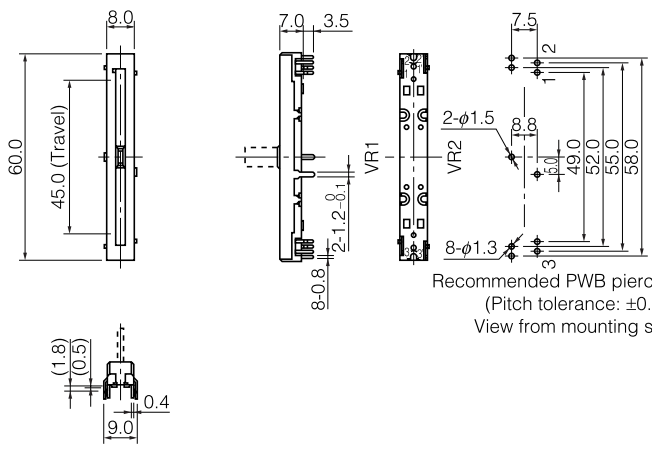


■ Major Specifications


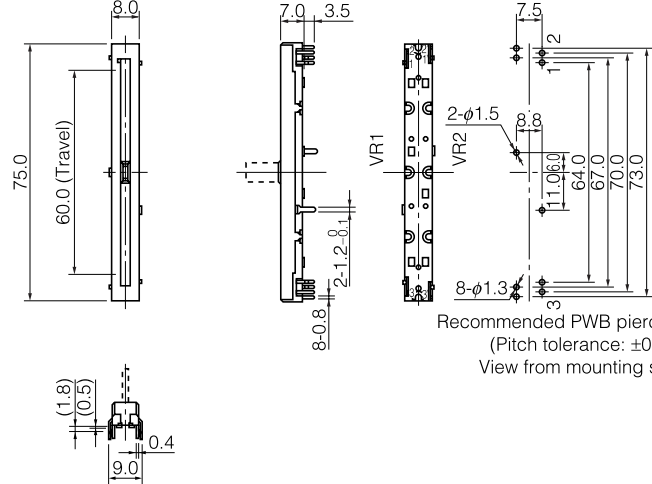
		Taper B	Others
Power Rating	60.0 mm Type	0.12 W	0.06 W
	45.0 mm Type	0.10 W	0.05 W
Standard Resistance	10 kΩ		
Taper	A, B, D, Y (Custom tapers also available)		
Maximum Attenuation	Single type: 100 dB min.(Except taper B) Dual type: 70 dB min.(Except taper B)		
Insulation Resistance	100 MΩ min. at 200 Vdc		
Dielectric Withstanding Voltage	300 Vac for 1 minute		
Operating Force	0.1 N to 1.5 N		
Operating Life	30000 cycles min.		
Minimum Quantity/Packing Unit	EWAP1	50 pcs.(Tray Pack)	Lever length ≤ 20.0 mm
	EWAQ1	25 pcs.(Tray Pack)	Lever length ≥ 21.0 mm
Quantity/Carton	EWAP1	500 pcs.	Lever length ≤ 20.0 mm
	EWAQ1	250 pcs.	Lever length ≥ 21.0 mm

■ Dimensions in mm (not to scale)

● 45.0 mm Travel EWAP1

<p>No. 1</p> <p>Japan</p> 	 <p>Recommended PWB piercing plan (Pitch tolerance: ± 0.1) View from mounting side</p> <p>Circuit diagram Not to connect dummy terminal 1' and others</p> <p>Notes: 1. 3 and T: Short terminals 2. 1' 2' 3' and T': Dummy terminals</p>
--	--

● 60.0 mm Travel EWAQ1

<p>No. 2</p> <p>Japan</p> 	 <p>Recommended PWB piercing plan (Pitch tolerance: ± 0.1) View from mounting side</p> <p>Circuit diagram Not to connect dummy terminal 1' and others</p> <p>Notes: 1. 3 and T: Short terminals 2. 1' 2' 3' and T': Dummy terminals</p>
--	--