

ECE-520: Linear Control Systems
Homework 1

Due: Thursday December 1 at 5 PM

1) Determine the impulse response of the following using partial fractions as necessary. You can use Maple to check your answers, but do the problems without Maple.

a) $H(s) = \frac{s+3}{(s+1)(s+2)}$

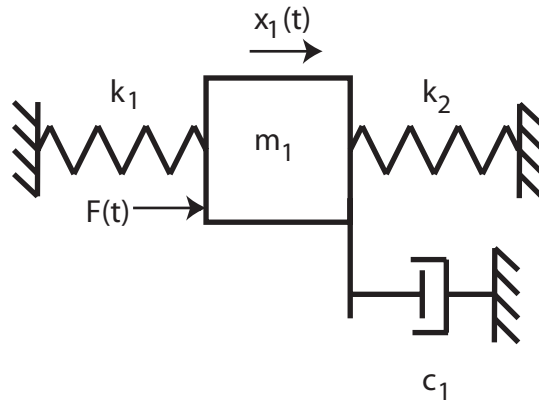
b) $H(s) = \frac{s}{(s+1)^2(s+3)}$

c) $H(s) = \frac{1}{(s+1)(s+2)(s+3)(s+4)}$

d) $H(s) = \frac{1}{s^2(s+1)}$

Preparation for Lab 1

2) Consider the following one degree of freedom system we will be utilizing this term:



a) Draw a freebody diagram of the forces on the mass.

b) Show that the equations of motion can be written:

$$m_1 \ddot{x}_1(t) + c_1 \dot{x}_1(t) + (k_1 + k_2)x_1(t) = F(t)$$

or

$$\frac{1}{\omega_n^2} \ddot{x}_1(t) + \frac{2\zeta}{\omega_n} \dot{x}_1(t) + x_1(t) = KF(t)$$

c) What are the damping ratio ζ , the natural frequency ω_n , and the static gain K in terms of m_1 , k_1 , k_2 , and c_1 ?

d) Show that the transfer function for the *plant* is given by

$$G_p(s) = \frac{X_1(s)}{F(s)} = \frac{K}{\frac{1}{\omega_n^2}s^2 + \frac{2\zeta}{\omega_n}s + 1}$$

3) One of the methods we will be using to identify ζ and ω_n is the *log-decrement* method, which we will review/derive in this problem. If our system is at rest and we provide the mass with an initial displacement away from equilibrium, the response due to this displacement can be written

$$x_1(t) = Ae^{-\zeta\omega_n t} \cos(\omega_d t + \theta)$$

where

$x_1(t)$ = displacement of the mass as a function of time

ζ = damping ratio

ω_n = natural frequency

ω_d = damped frequency = $\omega_n \sqrt{1 - \zeta^2}$

After the mass is released, the mass will oscillate back and forth with period given by

$T_d = \frac{2\pi}{\omega_d}$, so if we measure the period of the oscillation (T_d) we can estimate ω_d .

Let's assume t_0 is the time of one peak of the cosine. Since the cosine is periodic, subsequent peaks will occur at times given by $t_n = t_0 + nT_d$, where n is an integer.

a) Show that

$$\frac{x_1(t_0)}{x_1(t_n)} = e^{\zeta\omega_n T_d n}$$

b) If we define the log decrement as

$$\delta = \ln \left[\frac{x_1(t_0)}{x_1(t_n)} \right]$$

show that we can compute the damping ratio as

$$\zeta = \frac{\delta}{\sqrt{4n^2\pi^2 + \delta^2}}$$

c) Given the initial condition response shown in the Figures 3 and 4 on the next page, estimate the damping ratio and natural frequency using the log-decrement method. (You should get answers that include the numbers 15, 0.2, 0.1 and 15, approximately.)

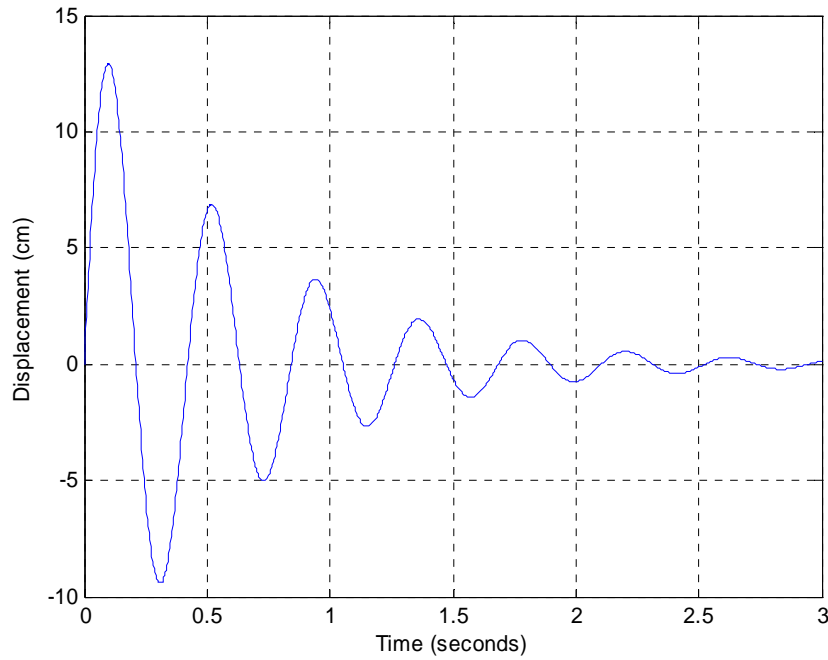


Figure 3. Initial condition response for second order system A.

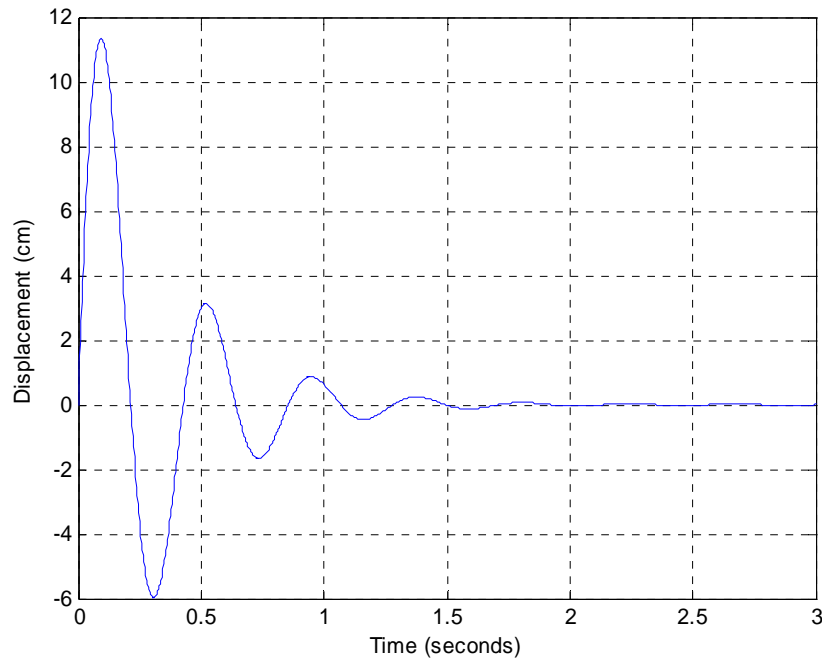


Figure 4. Initial condition response for second order system B.

As you undoubtedly recall, if we have a *stable* system with transfer function $H(s)$, and the input to the system is $u(t) = A \cos(\omega t + \theta)$, then the steady state output is given by

$$y(t) = |H(j\omega)| A \cos(\omega t + \theta + \angle H(j\omega))$$

This is really nothing more than a phasor relationship

$$Y = [|H(j\omega)| \angle H(j\omega)] [|U(j\omega)| \angle U(j\omega)]$$

or

$$\begin{aligned} |Y| &= |H(j\omega)| |U(j\omega)| \\ \angle Y &= \angle H(j\omega) + \angle U(j\omega) \end{aligned}$$

4) Assume

$$H(s) = \frac{s}{s+2}$$

a) If the input to this system is $u(t) = 3 \cos(2t)$ determine the steady state output.

b) If the input to this system is $u(t) = 5 \sin(5t + 10^\circ)$ determine the steady state output.

(Ans. $2.12 \cos(2t + 45^\circ)$, $4.64 \sin(5t + 31.8^\circ)$)

5) In addition to determining $|H(j\omega)|$ and $\angle H(j\omega)$ analytically, we can read these values from a Bode plot of the transfer function. Of course the magnitude portion of a Bode plot is in dB, and we need the actual amplitude $|H(j\omega)|$. For the system with Bode plot given in Figure 5, determine the steady state output of this system if the input is $u(t) = 5 \sin(3t + 20^\circ)$ and $u(t) = 5 \sin(2t + 20^\circ)$.

(Ans. $5 \sin(3t + 20^\circ)$, $1.7 \sin(2t + 65^\circ)$)

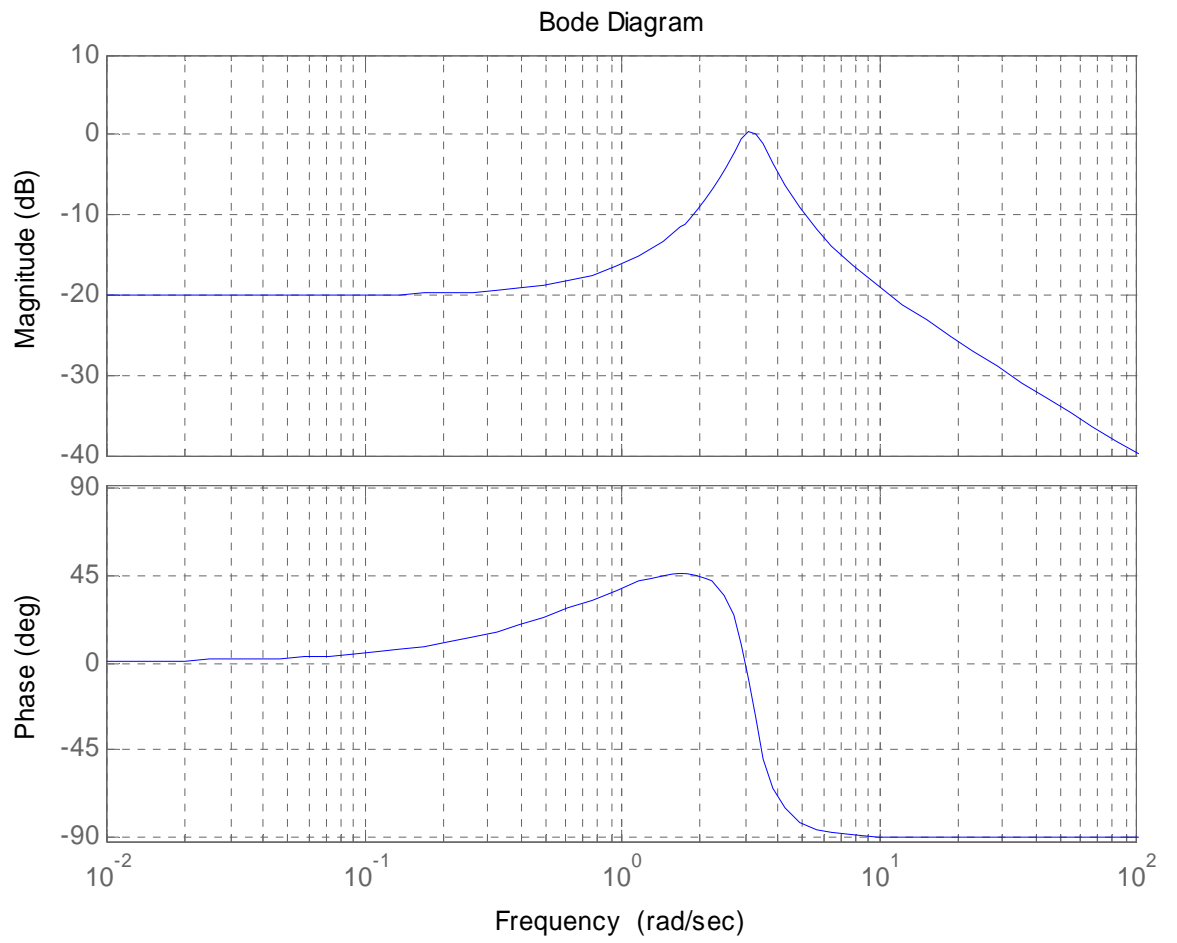


Figure 5: Bode plot of an unknown system.

6) Now we want to use the Bode plot to identify the system. Let's assume the input to an unknown system is a sequence of sinusoids, $u(t) = A \cos(\omega t + \theta)$ at different frequencies and different amplitudes. Once the transients have died out and the system is in steady state we measure the output $y(t)$. We then have the following data:

$$\begin{array}{ll}
 u(t) = 4 \cos(2\pi * 0.25t) & y(t) = 0.089 \cos(2\pi * 0.25t - 0.3^\circ) \\
 u(t) = 4 \cos(2\pi * 0.5t) & y(t) = 0.092 \cos(2\pi * 0.5t - 0.6^\circ) \\
 u(t) = 4 \cos(2\pi * t) & y(t) = 0.104 \cos(2\pi * t - 1.4^\circ) \\
 u(t) = 3 \cos(2\pi * 2t) & y(t) = 0.178 \cos(2\pi * 2t - 6.2^\circ) \\
 u(t) = 3 \cos(2\pi * 2.25t) & y(t) = 0.321 \cos(2\pi * 2.25t - 12.7^\circ) \\
 u(t) = 2 \cos(2\pi * 2.4t) & y(t) = 0.429 \cos(2\pi * 2.4t - 28.1^\circ) \\
 u(t) = 1 \cos(2\pi * 2.5t) & y(t) = 0.424 \cos(2\pi * 2.5t - 75.5^\circ) \\
 u(t) = 1 \cos(2\pi * 2.6t) & y(t) = 0.258 \cos(2\pi * 2.6t - 142.2^\circ) \\
 u(t) = 2 \cos(2\pi * 2.75t) & y(t) = 0.218 \cos(2\pi * 2.75t - 164.1^\circ) \\
 u(t) = 4 \cos(2\pi * 3t) & y(t) = 0.207 \cos(2\pi * 3t - 171.9^\circ) \\
 u(t) = 8 \cos(2\pi * 4t) & y(t) = 0.115 \cos(2\pi * 4t - 176.9^\circ) \\
 u(t) = 10 \cos(2\pi * 5t) & y(t) = 0.075 \cos(2\pi * 5t - 178.0^\circ) \\
 u(t) = 10 \cos(2\pi * 6t) & y(t) = 0.047 \cos(2\pi * 6t - 178.5^\circ) \\
 u(t) = 10 \cos(2\pi * 7t) & y(t) = 0.033 \cos(2\pi * 7t - 178.8^\circ) \\
 u(t) = 10 \cos(2\pi * 8t) & y(t) = 0.024 \cos(2\pi * 8t - 180^\circ)
 \end{array}$$

a) From this data, construct a table with the i^{th} input frequency f_i (in Hz), and the corresponding magnitude of the transfer function at that frequency, $|H_i| = |H(j2\pi f_i)|$. Note that the amplitude of the input is changing. Note that we could also utilize the phase, but we don't need that for the systems we are trying to model.

b) Now we need to try and fit a transfer function to this data, i.e., determine a transfer function that will have the same Bode plot (at least the same magnitude portion). You will need to go through the following steps (you probably want to put this in an m-file...)

```

%
% I won't tell you how to do this again, so pay attention!
%
% Enter the measured frequency response data
%
w = 2 * pi * [f1 f2 ... fn] % frequencies in radians/sec
H = [|H1| |H2| ... |Hn|] % corresponding amplitudes of the transfer function
%
% generate 1000 points (for a smooth curve) between min(w) and max(w)

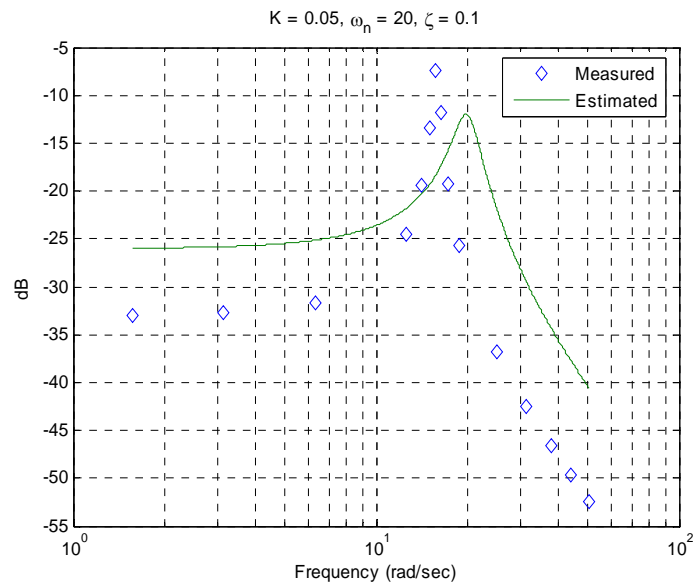
```

```

% space them out logarithmically
%
ww = logspace(log10(min(w)),log10(max(w)),1000);
%
% next guess the parameters for a second order system, you will have to change these
% to fit the data
%
omega_n = 20;
zeta = 0.1;
K = 0.05
HH = tf(K,[1/omega_n^2 2*zeta/omega_n 1]);
%
% get the frequency response, this is one of many possible ways
%
[M,P] = bode(HH,ww);
M = M(:);
%
% Now plot them both on the same graph and make it look pretty
%
semilogx(w,20*log10(H),'d',ww,20*log10(M),'-'); grid; legend('Measured','Estimated');
ylabel('dB'); xlabel('Frequency (rad/sec)');
title(['K = ' num2str(K) ', \omega_n = ' num2str(omega_n) ', \zeta = ' num2str(\zeta)']);
%
% Note there are spaces between the single quote (') and the num2str function

```

If you have not screwed up, you should get the following graph:



c) Now you need to adjust the parameters of the estimated transfer function to get the best fit. Turn in your final plot with the estimates of the parameters at the top (as in the figure above.)