

# ECE-420: Discrete-Time Control Systems

## Project Part B: Feedback Control

In this part of the project you will first simulate an open loop discrete-time system in both Matlab and Simulink, and then modify both the Matlab file and the Simulink file for a simple closed loop system. You will need to modify the project files from the last project assignment for this. *You should also look at the last project for more information on how the embedded system toolbox works, it will not be repeated here or in future projects!*

### **Mathematical Background and Review:**

Consider a simple discrete-time transfer function with input  $R(z)$  and output  $Y(z)$ ,

$$G(z) = \frac{Y(z)}{R(z)} = \frac{b_0 + b_1z^{-1} + b_2z^{-2}}{1 + a_1z^{-1} + a_2z^{-2}} = \frac{B(z)}{A(z)}$$

Cross multiplying we get

$$Y(z) + a_1z^{-1}Y(z) + a_2z^{-2}Y(z) = b_0R(z) + b_1z^{-1}R(z) + b_2z^{-2}R(z)$$

In the time-domain this becomes

$$y(n) = -a_1y(n-1) - a_2y(n-2) + b_0r(n) + b_1r(n-1) + b_2r(n-2)$$

In Matlab, the  $A$  and  $B$  arrays are then

$$A = [1 \quad a_1 \quad a_2]$$
$$B = [b_0 \quad b_1 \quad b_2]$$

In Matlab, there will be an equal number of elements in both arrays and they are row arrays (because of the way we constructed them). Let's assume that  $N$  denotes the maximum number of coefficients in the transfer function.

For the **plant** we denoted the arrays as  $A_p$  and  $B_p$ , with  $N_{bp}$  elements. For a **controller**, which you will implement in this lab, we will denote the arrays as  $A_c$  and  $B_c$ , with  $N_{bc}$  elements.

*Unfortunately, if you make a mistake in one of the functions, you will get a pretty cryptic message in the Matlab command window. To get more details, click on the block you are having troubles with, click on **Simulink**, and then on **View Report**. At the bottom of this screen there are often helpful hints about what went wrong.*

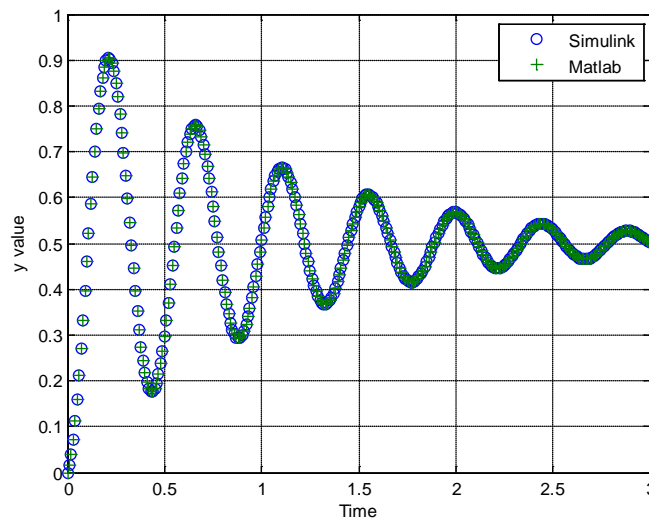
1) Modify the file **openloop\_DE.slx** to generate both a Matlab and a Simulink simulation of the unit step response for a sampled version of the continuous time transfer function

$$G_p(s) = \frac{s + 100}{s^2 + 2s + 200}$$

We want a sampling interval  $T_s = 0.01$  seconds, and the final time to be  $T_f = 3.0$  seconds. To convert from the continuous-time to discrete-time transfer function using a zero order hold, use the following Matlab code:

```
Gp = tf([1 100],[1 2 200]); % continuous-time transfer function
Gp = c2d(Gp,Ts,'zoh'); % discrete-time equivalent
```

The Matlab file will set up the parameters for the Simulink file, then run the Simulink file, and then plot the results. If you run the file **openloop\_driver.m** you should get a plot like that in Figure 1



**Figure 1.** Open loop response of the system.

2) We are now going to modify the Matlab model to implement a feedback control system. We will assume we are using the integral controller

$$G_c(z) = \frac{0.02z}{z-1} = \frac{0.02}{1-z^{-1}}$$

and that there is a one sample delay  $H(z) = z^{-1}$  in the feedback loop between the input and output.

a) Save **openloop\_driver.m** as **closedloop\_driver.m**, and make all of your changes to **closedloop\_driver.m**

b) Comment out the **sim** command so we are not running the Simulink.

c) Enter the transfer function for the controller, and be sure to determine **Ac** (the *A* coefficients for the controller), **Bc** (the *B* coefficients for the controller), and **Nbc** (the number of *B* coefficients in the

controller). Be sure to enter the sample interval  $T_s$  in the **tf** command so Matlab will understand it is discrete-time transfer function.

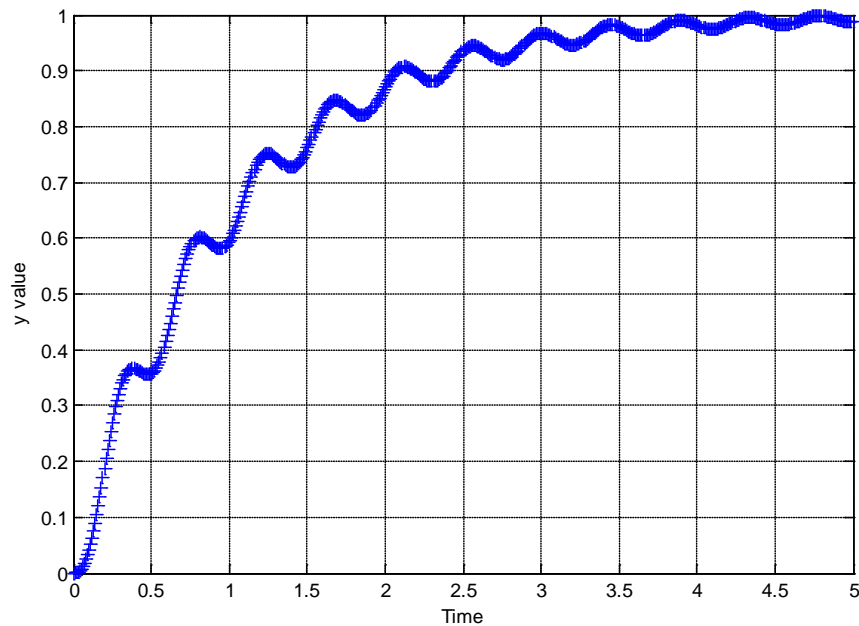
d) Enter the transfer function for the feedback element  $H(z) = z^{-1}$ . Be sure to enter the sample interval  $T_s$  in the **tf** command so Matlab will understand it is discrete-time transfer function.

e) To get the closedloop transfer function, use the feedback command as follows:

```
Go = feedback(Gc*Gp,H);
```

f) Modify the **lsim** command to use Go to get the closedloop response.

g) If you run the simulation for 5 seconds (and only plot the Matlab results), you should get the plot shown in Figure 2.



**Figure 2.** Results of the Matlab simulation for the integral controller.

**3)** Now we are going to modify the Simulink model.

a) Save **openloop\_DE.slx** as **closedloop\_DE.slx** and make all of your changes to **closed\_loop.slx**.

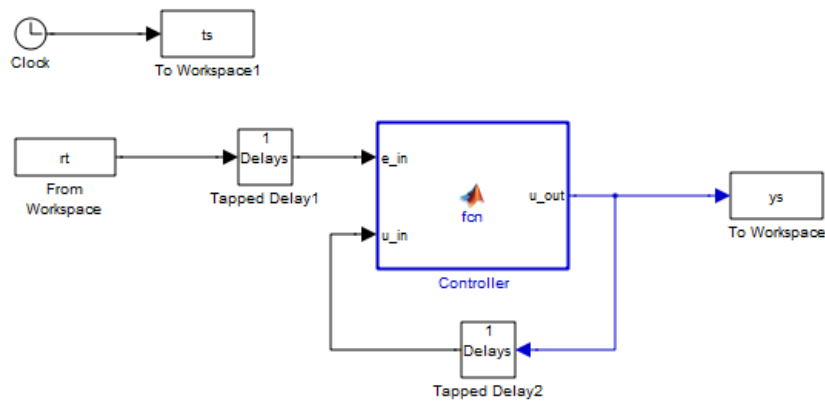
b) Modify **closedloop\_driver.m** to simulate **closedloop\_DE.slx**(modify the argument to **sim**)

c) We are going to first implement the controller by cheating as much as we can. When we are done with this step we want **closedloop\_DE.mdl** to look like Figure 3. You should note two things about this figure, compared with **openloop\_DE.mdl**:

- The inputs (**e\_in**, **u\_in**) and output (**u\_out**) are different
- The order of the input ports are different
- The Plant is now labeled the Controller

You now need to start editing this model. If you do everything correctly, the rest of this project will be easy. It is probably a good idea to open both **openloop\_DE** and **closed\_loop\_DE**, find the corresponding variables (e.g., *yout* corresponds to *uout*), and use this as a guide to the correct variable sizes.

- Change the name of the block to Controller is the easiest, just click on the Plant name and edit it.
- Change the input and output variables by clicking on the Controller block and then Simulink and Edit Data icon (see Project Part A). You need to change the variable names, the ports, *and make all of the variables functions* of **Bc**, **Ac**, and **Nbc**.
- You need to edit the code so it uses the variables **Bc**, **Ac**, **Nbc**, **e\_in**, **u\_in**, and **u\_out**.
- You need to also edit all of the delays in this model to be functions of **Nbc**.



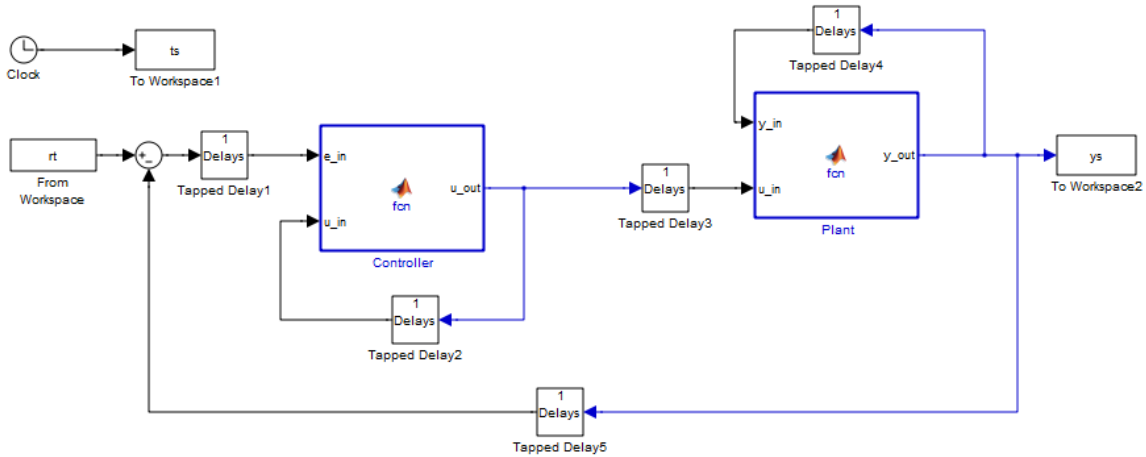
**Figure 3.** Initial configuration of **closedloop\_DE.mdl** used for debugging.

d) Now we will test what we have so far. Modify **openloop\_driver.m**. Somewhere before the **sim** command, rename new variables as follows:

```
Bc = Bp;
Ac = Ap;
Nbc = Nbp;
```

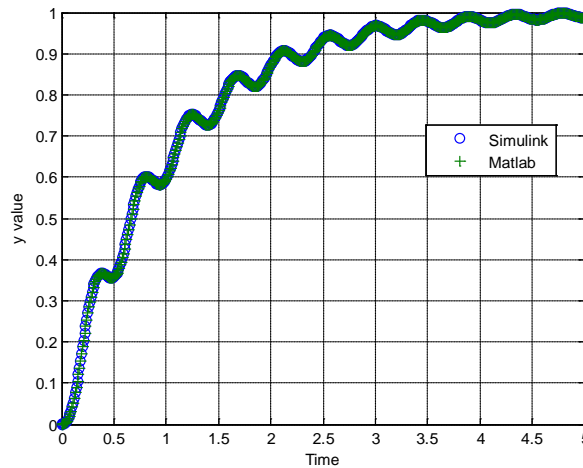
Modify **openloop\_driver.m** so the argument to the **sim** command is **closedloop\_DE**. When you run **openloop\_driver** you should get a graph like that in Figure 1.

e) Copy the file **closedloop\_DE.slx** to the file **closedloop\_DE2.slx** (so we don't screw up what is already working) and modify **closedloop\_driver.m** to run this new file. Open both **closedloop\_DE2.slx** and **openloop\_DE.slx**. Select the plant model (the input, output, and feedback elements) from **openloop\_DE** and copy them to **closedloop\_DE2**. After some editing, your final system should look like that shown in Figure 4. Note that the input to the plant is now **u\_in**. To make this change, you will need to edit the Plant block and code.



**Figure 4.** Final version of closedloop\_DE.mdl.

f) Now edit **closedloop\_driver** so you can plot the results from both the Matlab and Simulink results. If you run **closedloop\_driver** you should get the results shown in Figure 5. If you do not get this result, you have done something wrong!



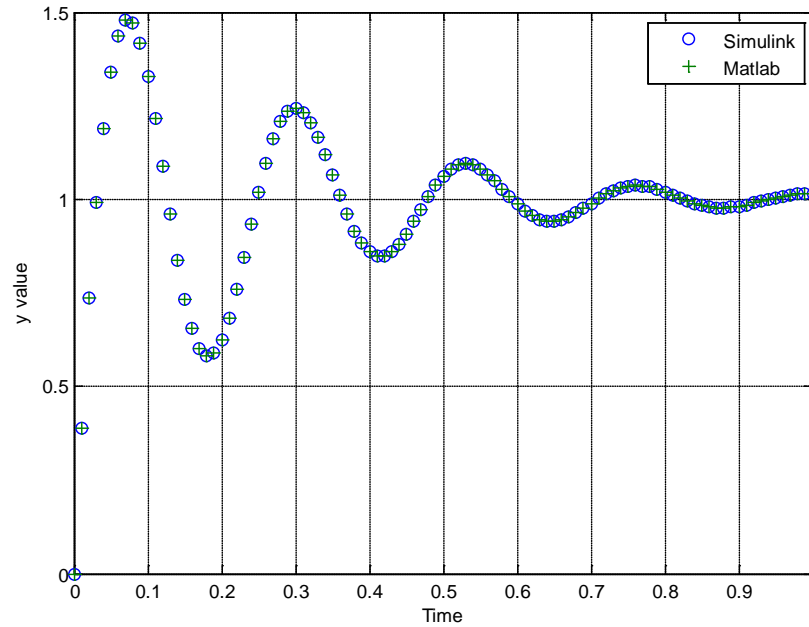
**Figure 5.** Final results for implementing the feedback control system with the integral controller.

4) Modify your system to use the discrete-time PID controller  $G_c(z) = \frac{26.3(z^2 - 1.74z + 0.777)}{z(z-1)}$

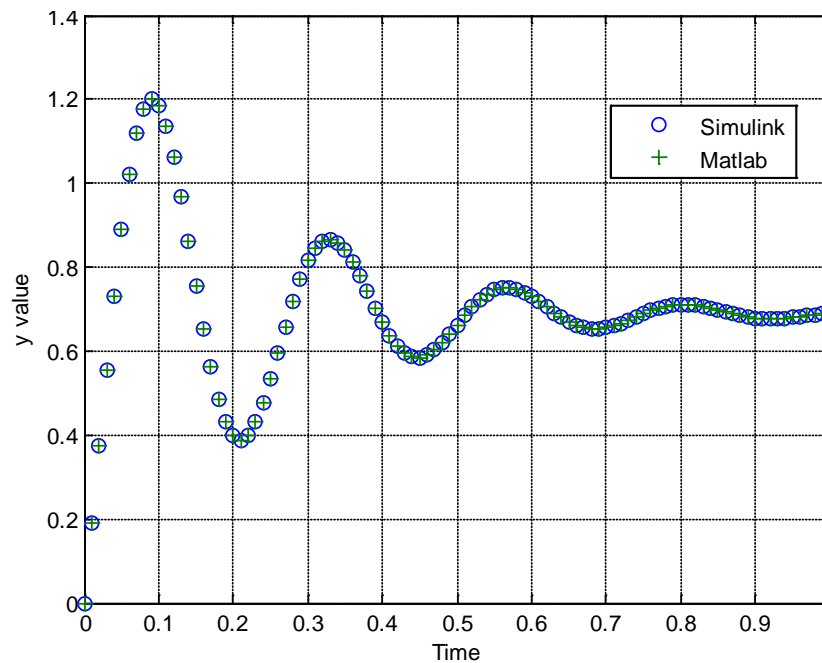
Your simulation results should look like those in Figure 6 (note the final time has been changed). *Include this figure in your memo.*

5) Modify your simulation to use the proportional+derivative controller,  $G_c(z) = \frac{12.8(z - 0.653)}{z}$ . Your results should look like those in Figure 7. *Include this figure in your memo.*

*To turn in: write a short memo including your graphs (with captions and figure numbers), and any suggestions you may have for improving this part of the project. e-mail me your memo.*



**Figure 6.** Matlab and Simulink results for PID controller.



**Figure 7.** Matlab and Simulink results for PD controller.