

ECE-205 Lab 6

Transfer Functions and an Optical Transmitter and Receiver

Overview

In this lab we will first learn how to implement transfer functions in both Matlab and in Simulink. Next we will build an optical transmitter and receiver. The transmitter/receiver is not related to the transfer functions, so don't hurt yourself trying to figure out how the two parts of the lab are related. However, building the transmitter and receiver will help with your circuit building skill and is pretty cool. You will need to get from me a photo transistor..

PART I: Representing Systems with Transfer Functions in Matlab and Simulink

Up until now we have represented our systems in terms of differential equations. In order to represent these systems in terms of transfer functions we only need to remember two simple things about Laplace transforms and transfer functions:

1) For transfer functions, we assume the initial conditions are zero (just as for the impulse response)

2) If $\mathcal{L}\{x(t)\} = X(s)$, then if we assume the initial conditions are zero we have $\mathcal{L}\left\{\frac{dx(t)}{dt}\right\} = sX(s)$ and

$$\mathcal{L}\left\{\frac{d^2x(t)}{dt^2}\right\} = s^2X(s)$$

3) The transfer function of a system is the transform of the output divided by the transform of the input.

You should be able to show that the transfer function for our first and second order system representations,

$$\tau \dot{y}(t) + y(t) = Kx(t)$$

$$\ddot{y}(t) + 2\zeta\omega_n \dot{y}(t) + \omega_n^2 y(t) = K\omega_n^2 x(t)$$

are

$$H(s) = \frac{Y(s)}{X(s)} = \frac{K}{\tau s + 1}$$

$$H(s) = \frac{Y(s)}{X(s)} = \frac{K\omega_n^2}{s^2 + 2\zeta\omega_n s + \omega_n^2}$$

Next we need to learn to represent systems using transfer functions in both Matlab and Simulink Let's first start with the way Matlab represents polynomials. If you wanted to represent the polynomial

$p(s) = 3s^2 + 2s + 1$ in Matlab, you would enter the coefficients into an array `p`, `p=[3 2 1]`. The coefficients always go from high to low. The last (rightmost) entry in the array is the coefficient of $s^0 = 1$, or the constant term. You must also always include a number for every coefficient, even if that coefficient is zero. For example, to enter the polynomial $p(s) = 2s^4 + 3s$ into Matlab, you would type, `p = [2 0 0 3 0]`.

For the most part, our transfer functions will be the ratio of two polynomials. We need to use the Matlab function `tf`, to tell Matlab that we want to construct a transfer function made up of two polynomials. For example, to enter the transfer function

$$H(s) = \frac{s+1}{3s^2 + 2s + 1}$$

into Matlab, we would type

```
num = [1 1]; % numerator polynomial of the transfer function
den = [3 2 1]; % denominator polynomial of the transfer function
H = tf(num,den); % construct the transfer function
```

We would, of course, just combine the three steps into one step,

```
H = tf([ 1 1],[3 2 1]);
```

If you do not put the semicolon at the end, Matlab will write the transfer function to the workspace (so you can check that you entered it correctly).

We will next show how to determine the response of a system represented by a transfer function to a step (or arbitrary input) in both Matlab and Matlab/Simulink. We will go through the steps for a first order system, then you will modify these for a second order system.

1) Open a new Matlab m-file (in a convenient folder). We will use one m-file for this lab. At the top of the file type the usual

clear variables

2) Set the variables **tau = 0.001** and **K = 2.0**

3) Enter the transfer function $G_p = \frac{K}{\tau s + 1}$ into Matlab.

4) Enter the final time variable **Tf = 0.01** (be sure to use at least one capitol letter so it is not confused with the transfer function command **tf**).

5) Use the **linspace** command to create a time vector t from 0 to Tf with 1000 sample points.

6) let's assume we want a step input with an amplitude of 0.1. There are many ways to generate this, but we will use the following command:

```
x=0.1*ones(1,length(t));
```

7) To simulate the system, we then use the **lsim** command as follows:

```
y = lsim(Gp,x,t);
```

8) You should now pretty up your plot so it looks like the plot in Figure 1. Note that I have really plotted more than one graph in this figure, which you will do shortly.

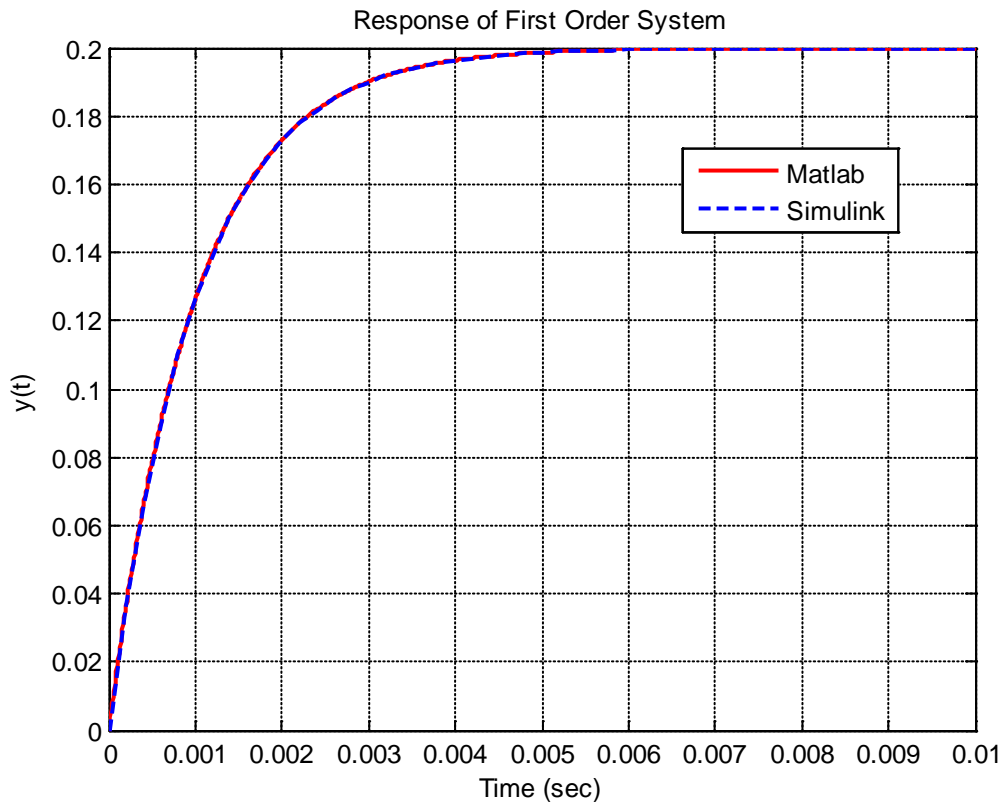


Figure 1. Response of first order system to a step of amplitude 0.1

We now want to prepare to use Simulink, and learn (and review) a few more commands as we go.

9) We will be using the times and input values from Matlab, so enter the command

```
ut = [ t' x']; % note that the apostrophe means take the transpose, leave a space between t' and x'
```

into your m-file.

10) Although we already know the numerator and the denominator of the transfer function, let's learn to extract them once we have a transfer function. We use the command

```
[num_Gp,den_Gp] = tfdata(Gp,'v');
```

to extract the numerator and denominator polynomials from the transfer function Gp.

11) Start Simulink from the Matlab window, and open a new model file. Save this model file as **openloop.mdl**.

12) Construct the model file shown in Figure 2. You will need to look in the **Sources Library** for the *from workspace* block and the clock block, the **Sink Library** for the *to workspace* blocks (be sure to save the data as an *array*, click on these boxes for this choice), and the **Continuous Library** for the *transfer function* block. Click on the transfer function block to enter the numerator as **num_Gp** and the denominator as **den_Gp**. **Be sure to change the final time of the simulation to Tf**. The final time of the simulation defaults to 10 seconds, and it appears in a box near the top of the Simulink model file.

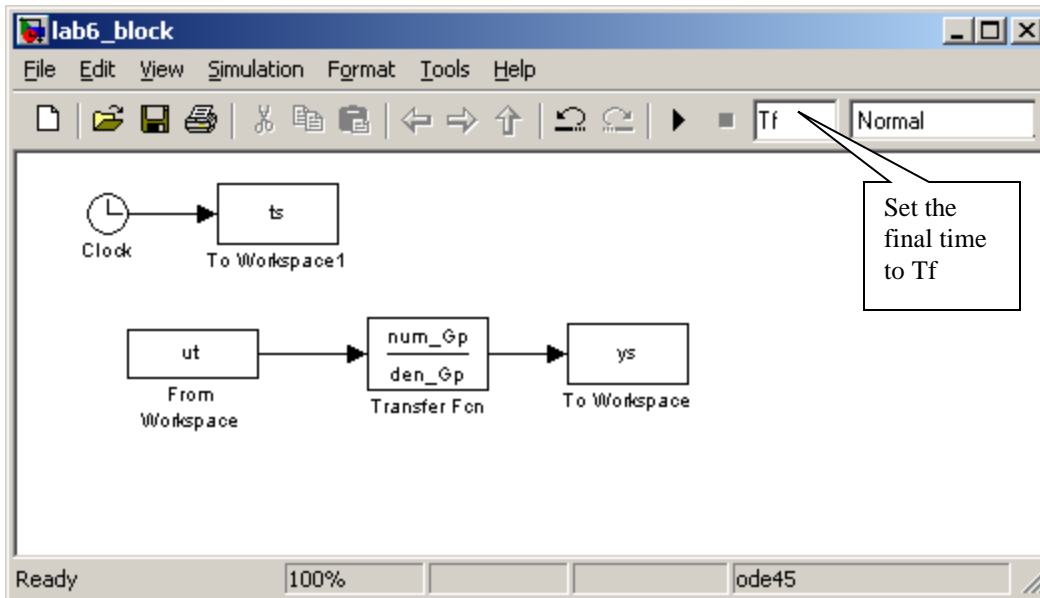


Figure 2. The openloop Simulink file.

13) Run the simulation from the m-file using the command,

```
sim('openloop');
```

14) At this point you have results from both Matlab (t,y) and Simulink (ts, ys). Modify your m-file to plot both of these results on the same graph. Use two different line types and colors, use a grid, label the x-axis etc. so your results look like that in Figure 1. You need to include your graph in your memo.

15) Now you need to modify your m-file so you can plot the results for a second order system with a natural frequency of 2000 rad/sec, a damping ratio of 0.2, and a static gain of 1.5. It is probably best to just copy and paste what you already have. If you have done everything correctly, you should get a graph like that shown in Figure 3. You need to include your graph in your memo, but not your code.



Figure 3. Response of second order system to a step of amplitude 0.1

PART II : Building an Optical Transmitter and Receiver

In this part of the lab we will build a simple optical transmitter and receiver that utilize infrared light, much like a TV remote control. For the most part this should be fun, but we will also get practice wiring and using a TL072 chip. The transmitter (clear LEED) and receiver (dark LED) are shown schematically in Figure 4. Do not start to build this circuit yet!

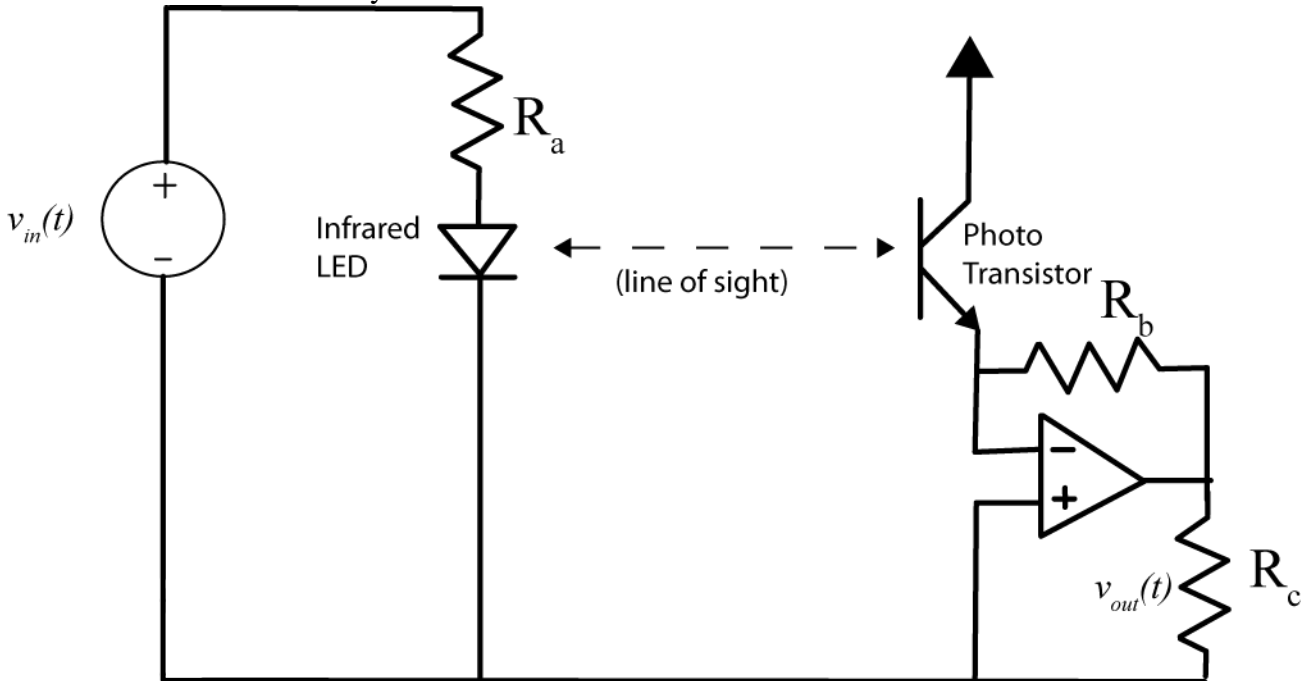


Figure 4. General schematic of optical transmitter and receiver.

The transmitter, on the left of the diagram, consists of an infrared LED. You will not be able to see when this is on, though you may be able to see it if you have a camera on your cell phone and look through that. The right side of the diagram shows the receiver, which consists primarily of a photo transistor and an amplifier. There are some tricks to building this circuit which we expect you to use later in this course. You will also need to external battery pack for wiring this circuit. Figure 5 shows the connection pins for Mobile Studio, which you will need.

Figure 6 shows a more detailed wiring diagram for building this circuit. You should lay out your breadboard in this fashion, with the red stripe at the top and the blue stripe at the bottom. Do not connect your external power supply to the system until you are all done. The top and bottom blue wires should be wired together, they serve as a common ground. The top red line will serve as the positive (+Vcc) voltage rail, and the bottom red line will serve as the negative (-Vcc) voltage rail.

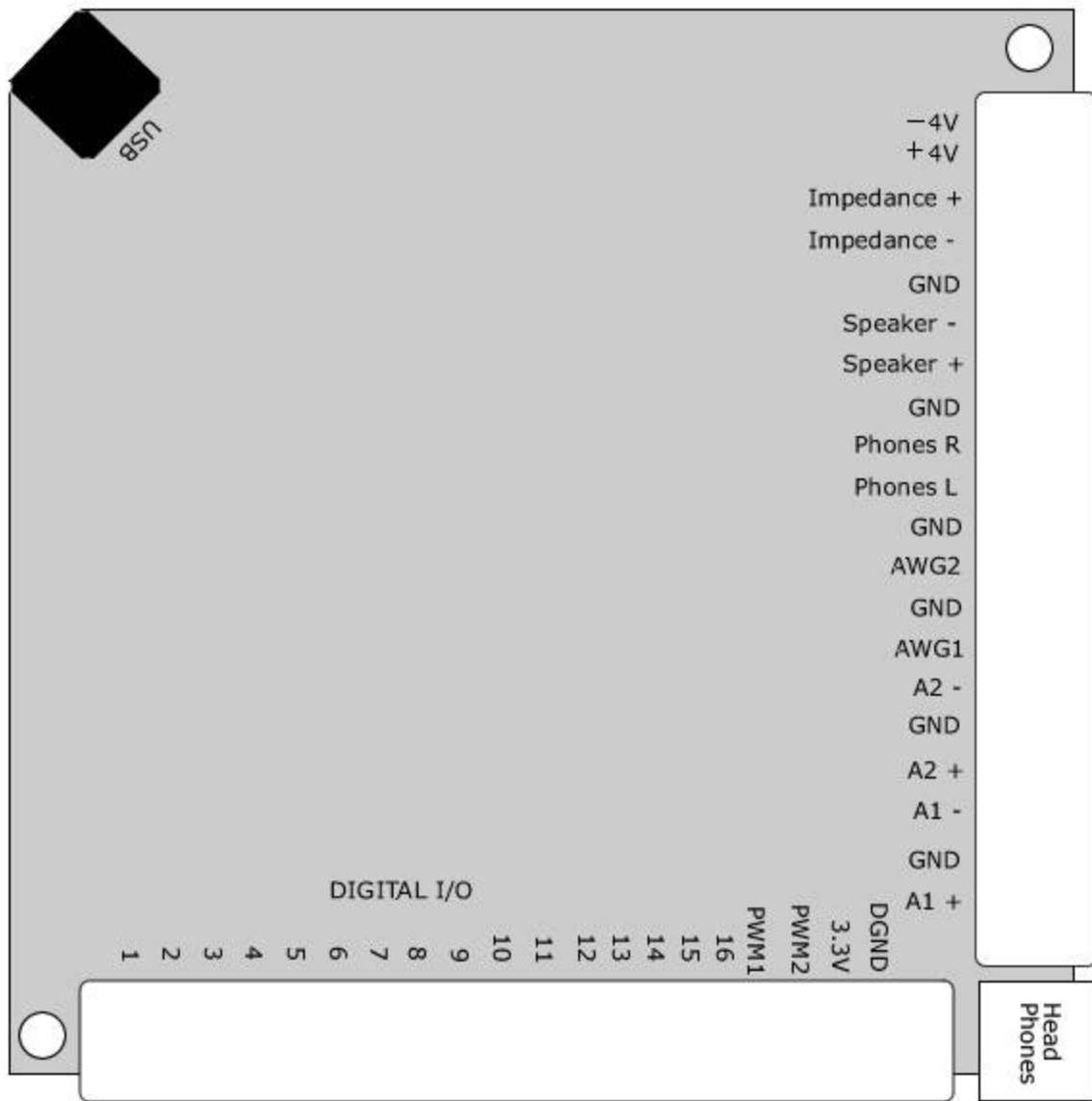


Figure 5. Connection pins for Mobile Studio.

1) First we will build the transmitter on the left of Figure 6. Use the infrared LED (the clear LED) and connect it to the Mobile Studio function generator through the $R_a = 51\Omega$ resistor. Be sure the function generator and the output of the LED are connected to ground. Try and build this as far to the left end of your circuit board as possible. Finally, connect A1+ and A1- to measure the voltage across the LED.

2) Next we will build the receiver, which should be built as far to the right as possible. Note that we are using an TL072 chip which includes two op amps on one chip. Be sure the dot on the chip is to the left (the semicircle on the drawing) and also to connect the power supplies correctly for this chip (they are different than for a 741 op amp!). Also be sure to connect the positive pin of the first op amp (the one we are using) to ground. Connect the rest of the circuit, using $R_b = 10k\Omega$ and $R_c = 1k\Omega$. Finally, the output of the receiver circuit is the voltage across the output resistor R_c , so connect A2+ and A2- as shown in Figure 6.

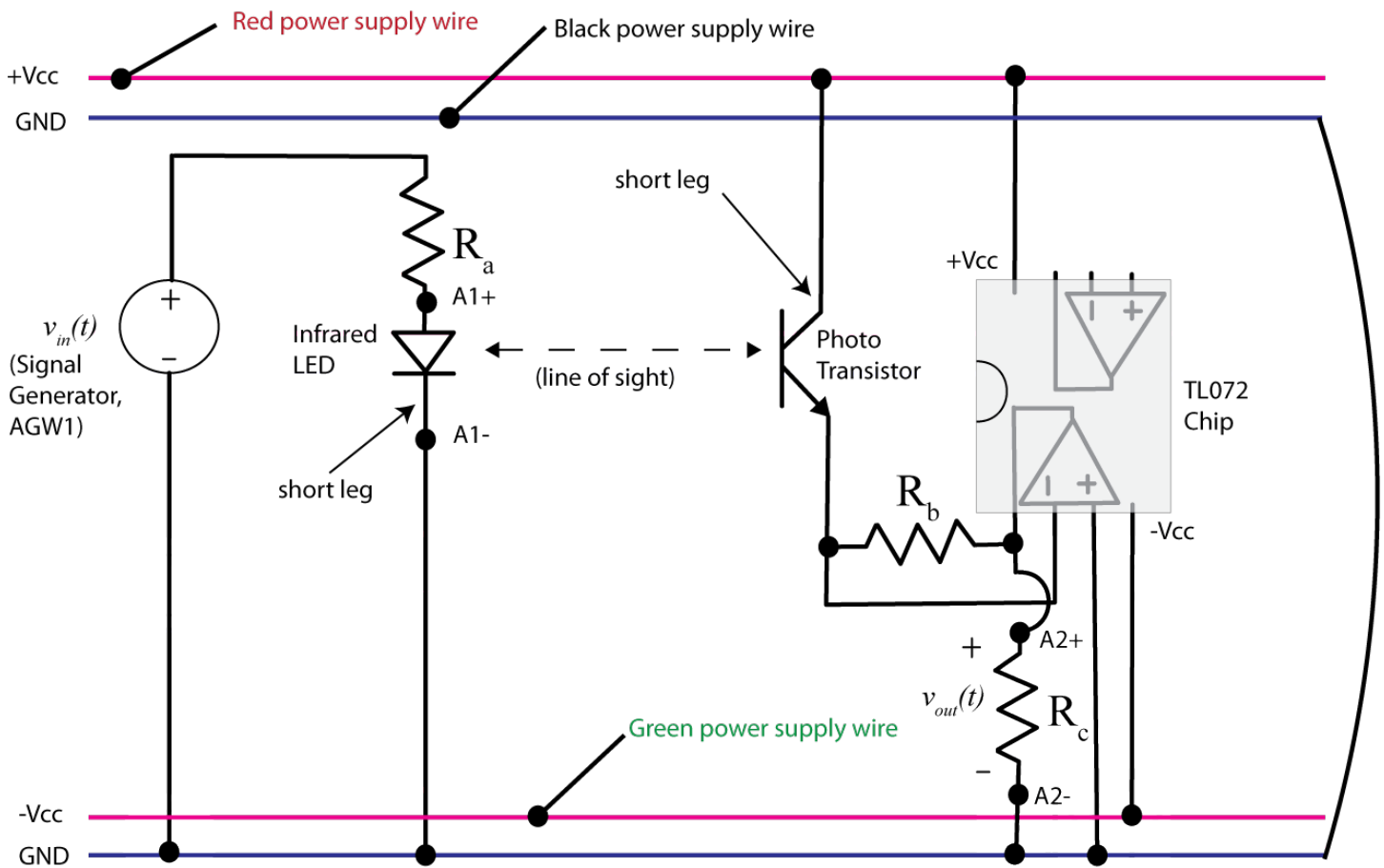


Figure 6. More detailed schematic of the optical transmitter and receiver.

3) The transmitter is at the end of the LED, and the receiver is at the end of the phototransistor, so you need to bend these at a 90 degree angle so they are pointing towards each other at this point. You will probably have to modify the pointing once we start to measure the received signal.

4) Now connect the power supply to your circuit. The **black** power supply wire is connected to the ground rails, the **red** power supply wire is connected to +Vcc rail, the **green** power supply wire is connected to the -Vcc rail.

5) Start Mobile Studio, and set the function generator to generate a 5 kHz square wave with an offset of 2.5 volts and a peak to peak value of 5 volts.

6) Set the Oscilloscope to measure 1 Volt/Div for both channels, both channels set for DC coupling, channel 1 set to A1 Diff, and channel 2 set to A2 Diff. The Time/div should be set initially to 100 μ sec. Start the oscilloscope, and you should see something like that in Figure 7. Note that at this point you may need to modify the transmitter and receiver so they are pointing more accurately. The LED is transmitting when the voltage across it is high, and the phototransistor is receiving when the voltage across the output/load resistor is low. Capture your picture and put it in your memo and you are done!

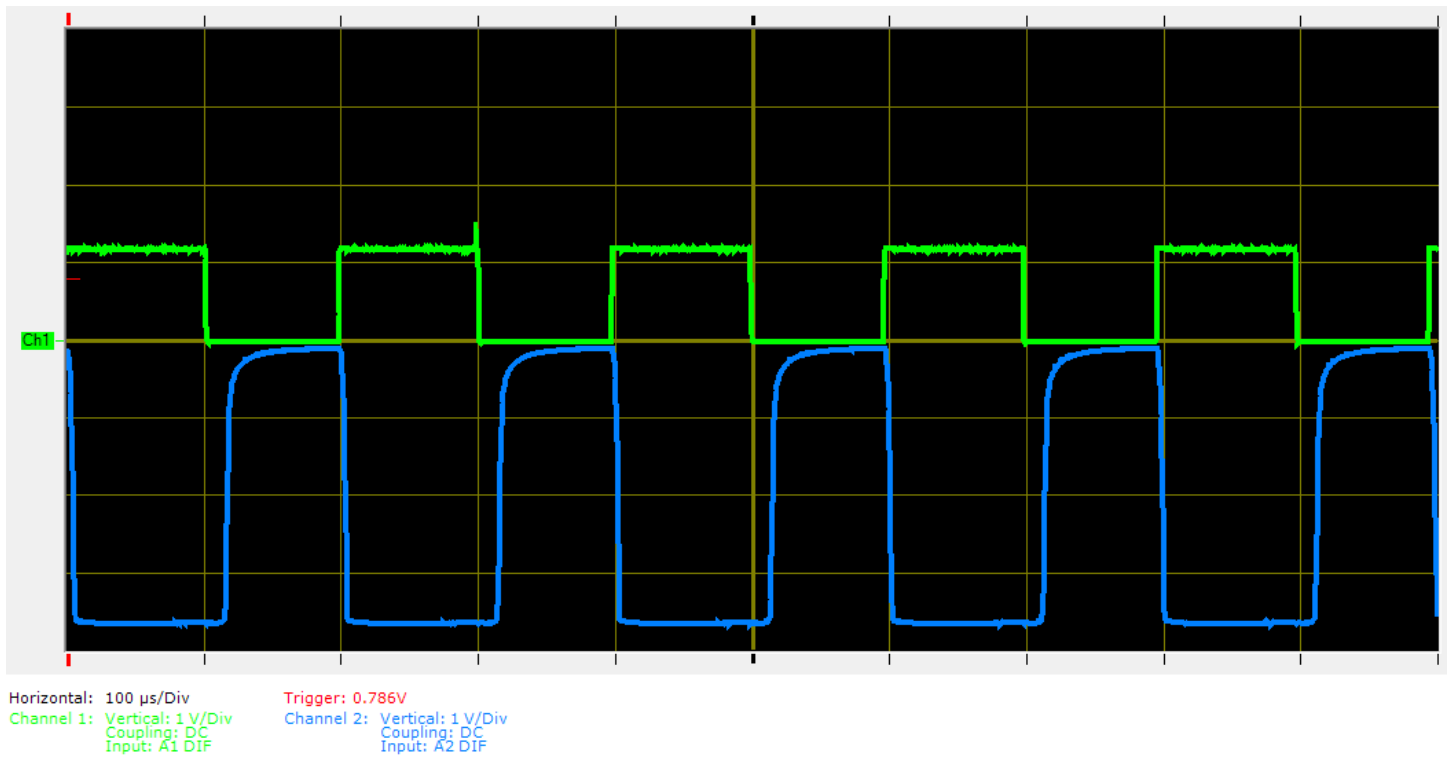


Figure 7. Transmitter (green) and receiver (blue) signal.