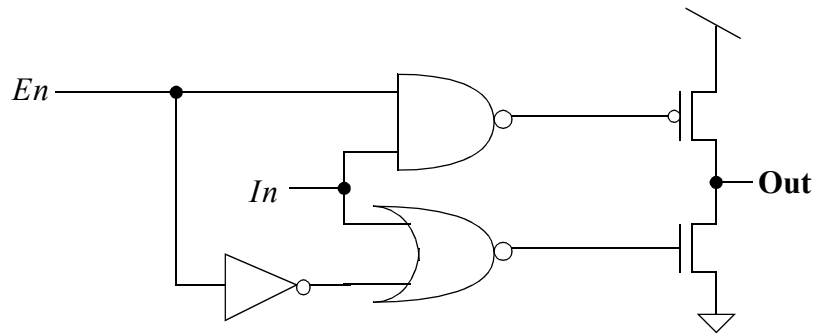


Homework 6

Problem 1

An alternative method of creating a tri-state buffer is shown below. Explain how this circuit works and performs the tri-state buffer function.



Problem 2

Create a PLA for the following truth table. Use the minimum size PLA possible.

Table 1:

W X Y	Out1	Out0
0 0 0	1	0
0 0 1	0	1
0 1 0	1	1
0 1 1	1	1
1 0 0	0	0
1 0 1	0	0
1 1 0	1	0
1 1 1	0	1