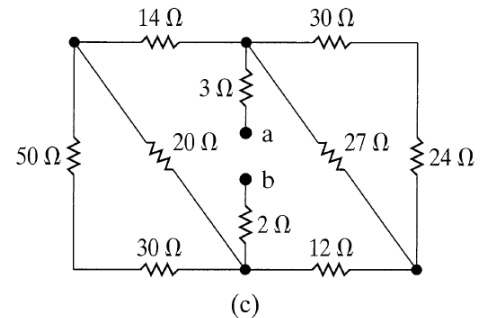
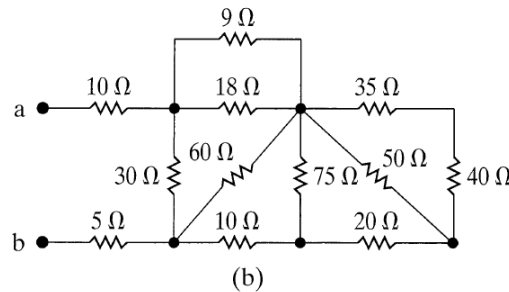
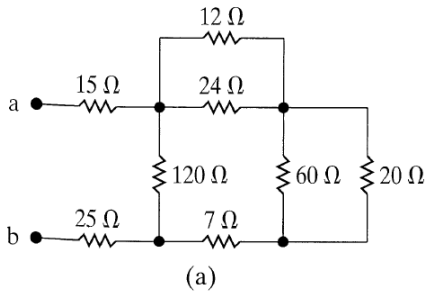


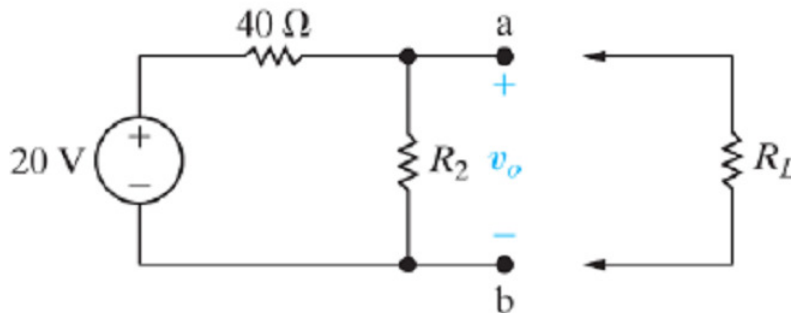
Homework Set #6
DUE Tuesday, March 21, 2017 – COB

1. Find the equivalent resistance (R_{ab}) for each of the following circuits:

Figure P3.8



2. The output of the voltage divider is 4 V when R_L is not connected. When R_L is connected it drops to 3 V. Find R_L .



3.
 - a. Find the equivalent resistance (R_{eq}) for the three resistors in parallel.
 - b. Calculate the voltage V_a if $V_s = 10$ Volts and $R_x = 5$ k Ω .
 - c. Parameters in the circuit are changed such that V_s and R_x are not known and $I_1 = 3$ mA. Calculate the current I .

