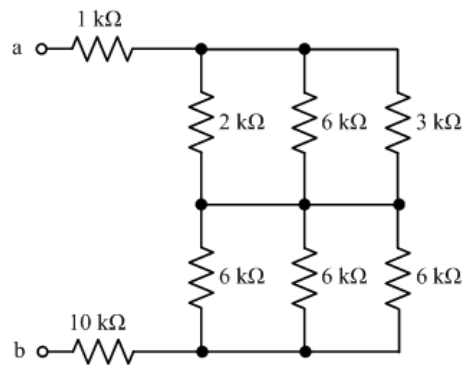


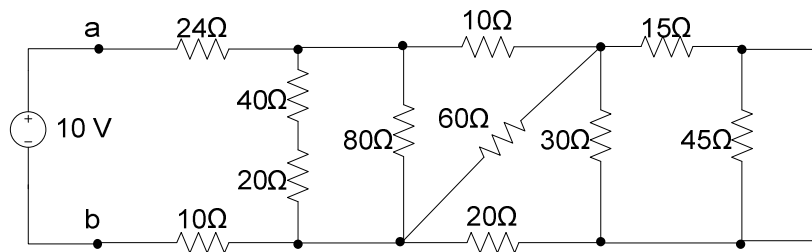
**Homework Set #5**  
**DUE Monday, March 20, 2017**

1. Problem 2.35 (answer:  $i_2 = -2 A$ )
2. For both circuits shown below, reduce to a single resistor at terminals a and b.

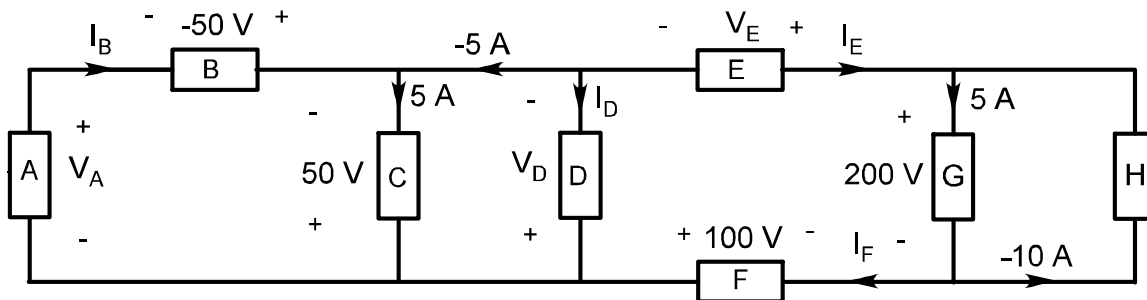
a)



b)



3. Complete the table below. Observe the Passive Sign Convention.



Element	Voltage	Current	Power	Consumed/Produced?
A				
B				
C				
D				
E				
F				
G				
H				