

Homework Set #11
DUE Monday, April 3, 2017

1. Does this look familiar?

For the circuit in Figure E4.11 determine the power supplied by each source using:

- a) Nodal Analysis
- b) Mesh Analysis

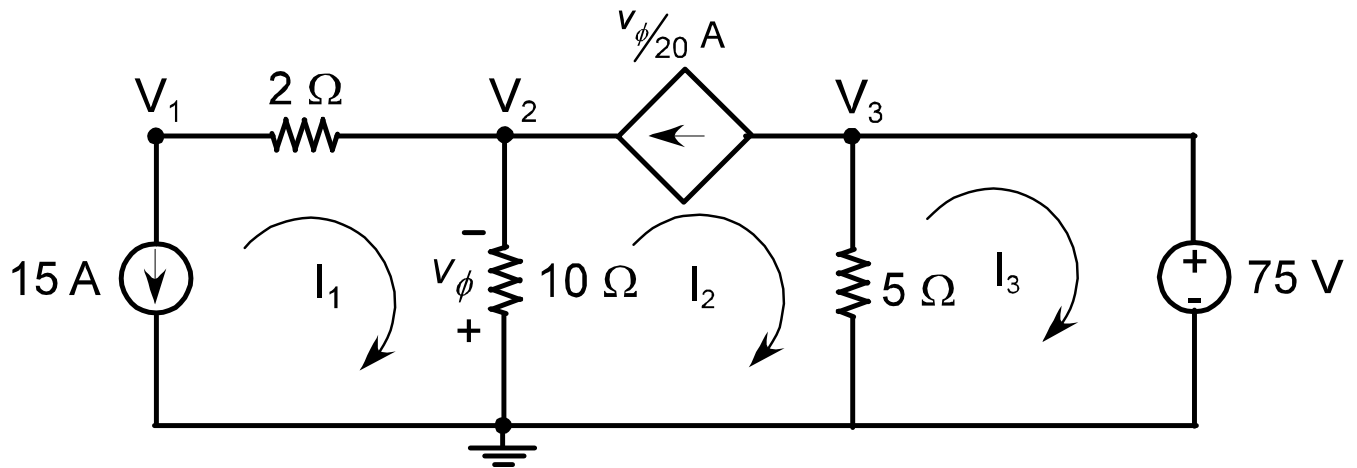
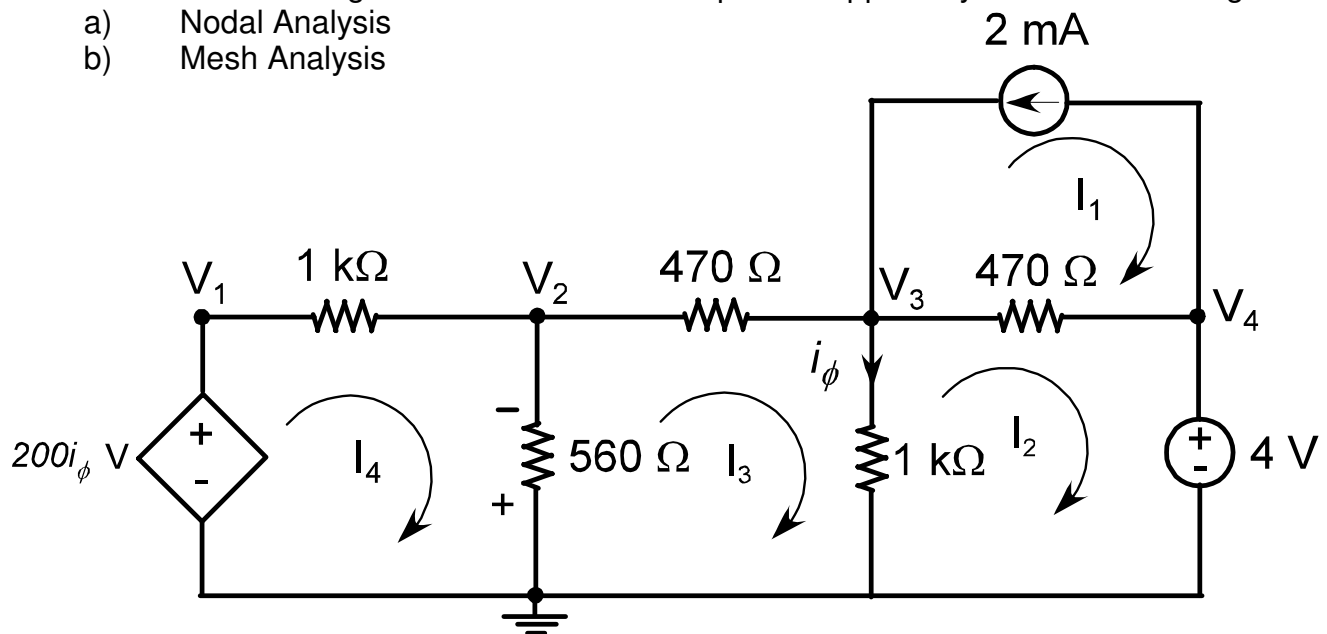


Figure E4.11

2. And just when you thought it was safe!!

For the circuit in Figure E4.12 determine the power supplied by each source using:

- a) Nodal Analysis
- b) Mesh Analysis



3. Given the following circuit (*Note: this is an old exam problem*)
Label the circuit with all the node voltages including the reference node
a. Use the node-voltage method to solve for the unknown node-voltages
b. Compute the value of I_x .

